

MF Sensors

1 MF300 General

1. [Tailgate locking](#)
2. [Tailgate open](#)
3. [Tailgate limited closed](#)
4. [Packer plate position](#)
5. [Carriage plate position](#)
6. [Infrared transmitter](#)
7. [Infrared receivers](#)
8. [Body door](#)
9. [Pressure sensor](#)
10. [Pressure filter pollution sensor](#)
11. [Return filter pollution sensor](#)
12. [Foot board](#)

2 MF300 L-200

1. [Guide plate](#)
2. [Lifting arm position](#)
3. [Four-wheel detection](#)
4. [Auto grip](#)

3 MF300 L-500

1. [Guide plate](#)
2. [Lifting arm position](#)
3. [Four-wheel detection](#)
4. [Auto grip](#)
5. [Under run ptotection](#) (Autolift)
6. [Bin rim lock](#) (Autolift)
7. [Bin 2 OK](#) (Autolift)
8. [Pick up safety](#) (Autolift)
9. [Bin 2 in place](#) (Autolift)
10. [Position bin frame](#) (Autolift)
11. [Safety guard](#) (Autolift)

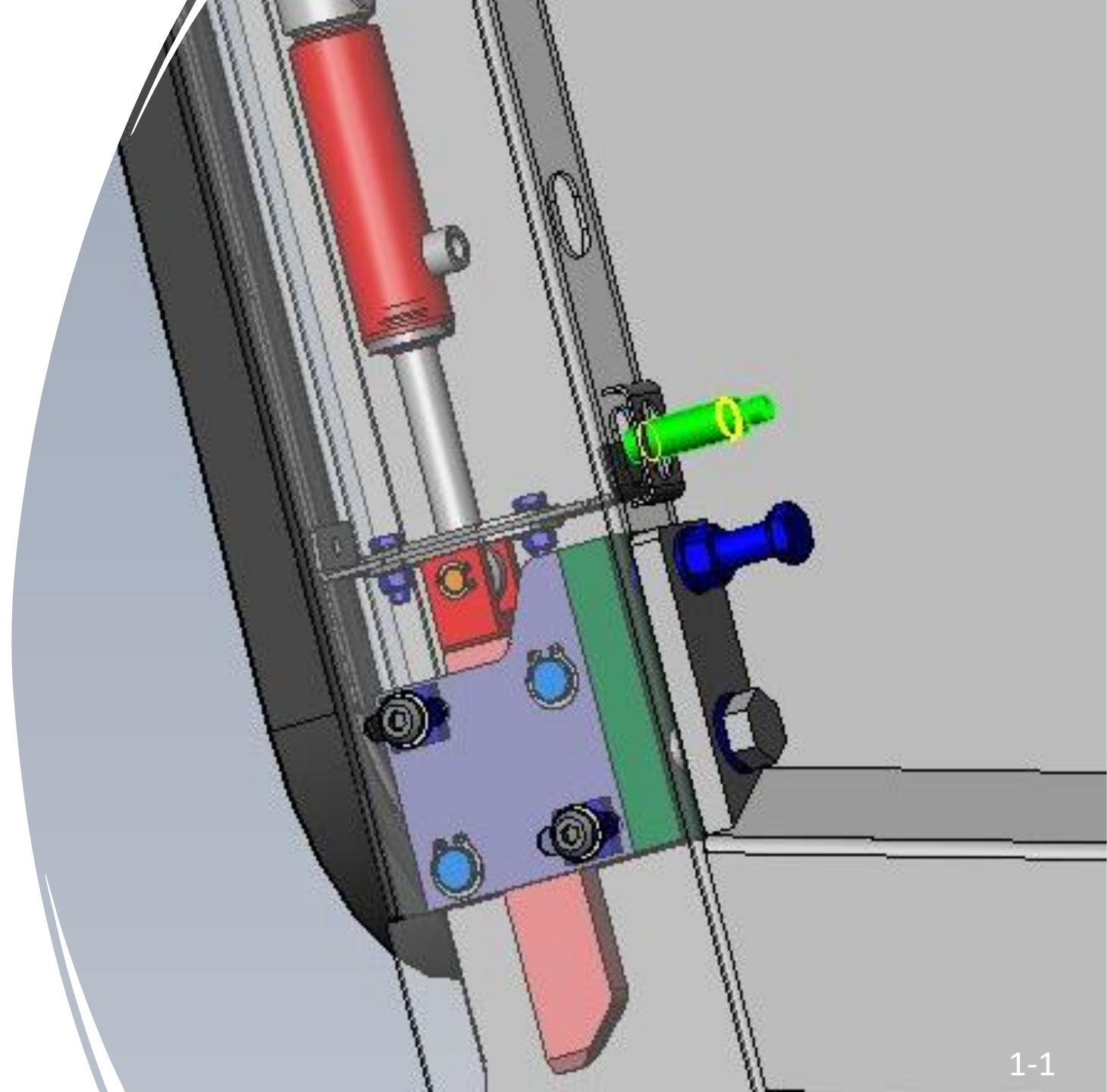
4 MF300 L-500 Splitted bins

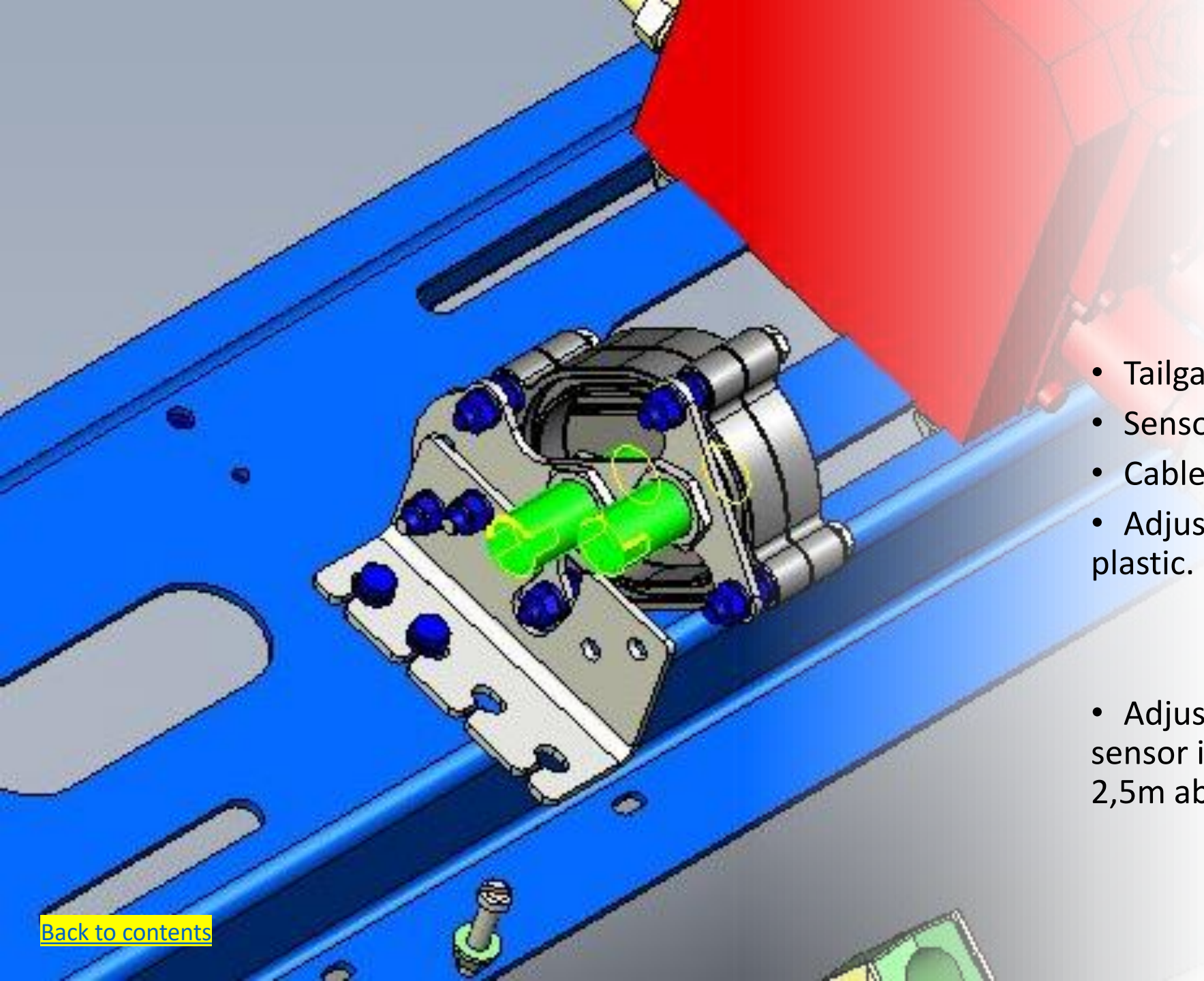
1. [Coupled bin lifts](#)
2. [Uncoupled bin lifts](#)
3. [Auto grip wide side](#)
4. [Auto grip narrow side](#)
5. [Bin 2 in place](#)
6. [Four-wheel detection](#)

MF 300 General

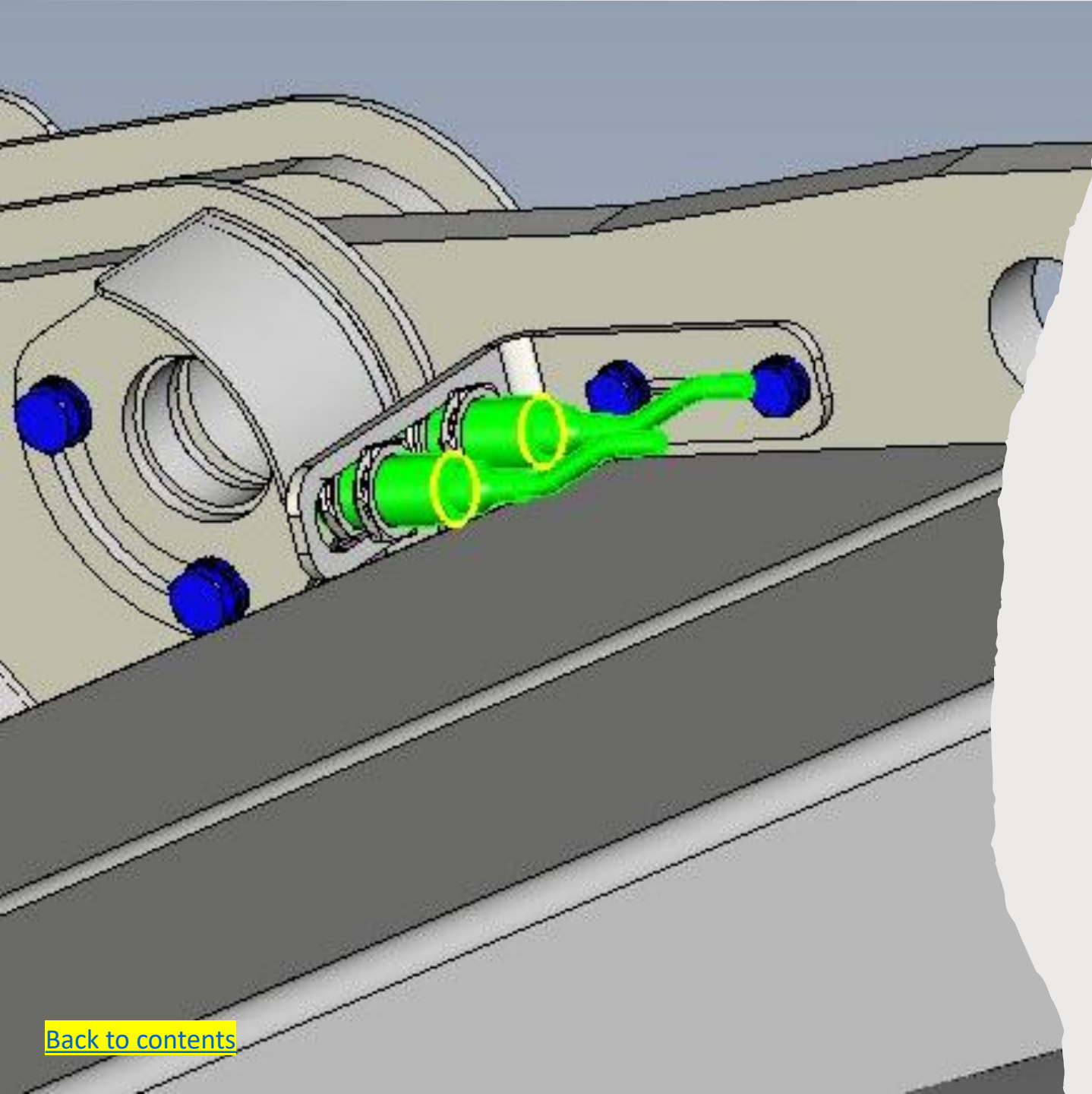


-
- Tailgate locking, proximity switch.
 - Sensor: 979947
 - Cable included with contact.
 - Adjustment: 1-3mm

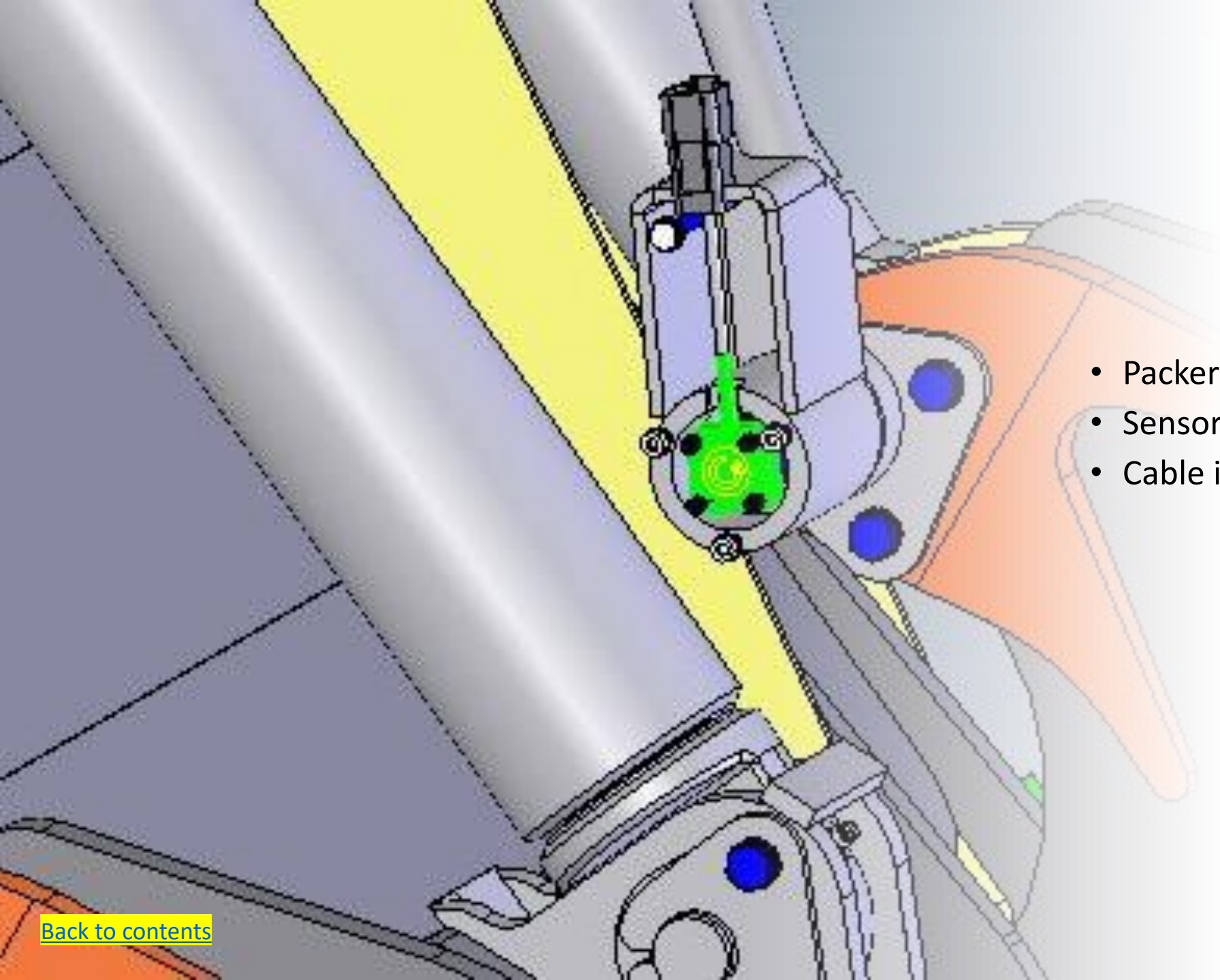




- Tailgate open, proximity switch.
 - Sensor: 979946
 - Cable included with contact.
 - Adjustment: Sensor touching plastic.
-
- Adjust angle on bracket so sensor is activated when tailgate is 2,5m above ground.



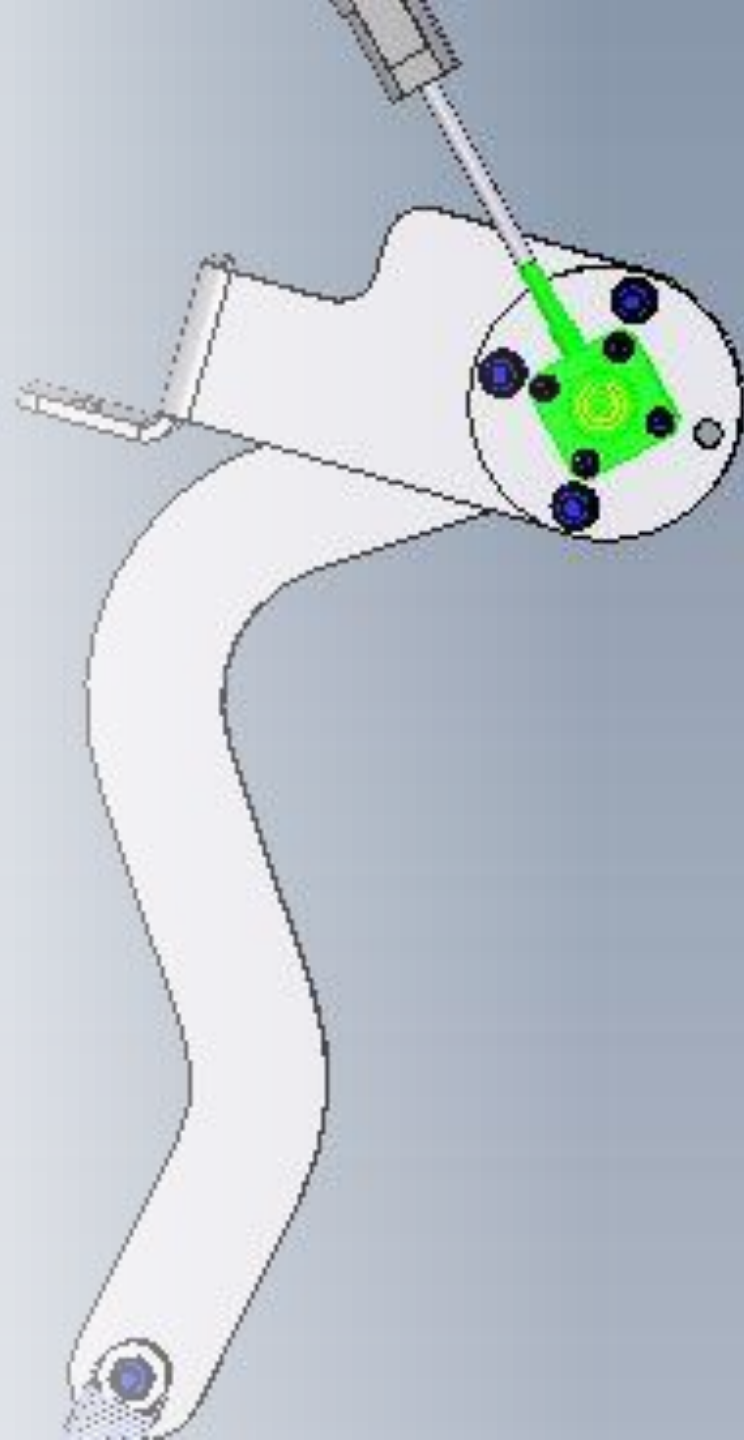
- Tailgate limited closed.
 - Sensor: 979946
 - Cable included with contact
 - Adjustment: 1-3 mm to sensor plate.
-
- Adjust sensor plate so sensors are activated when tailgate is 1m from body.



- Packer plate position.
- Sensor: 1005818
- Cable included with contact.

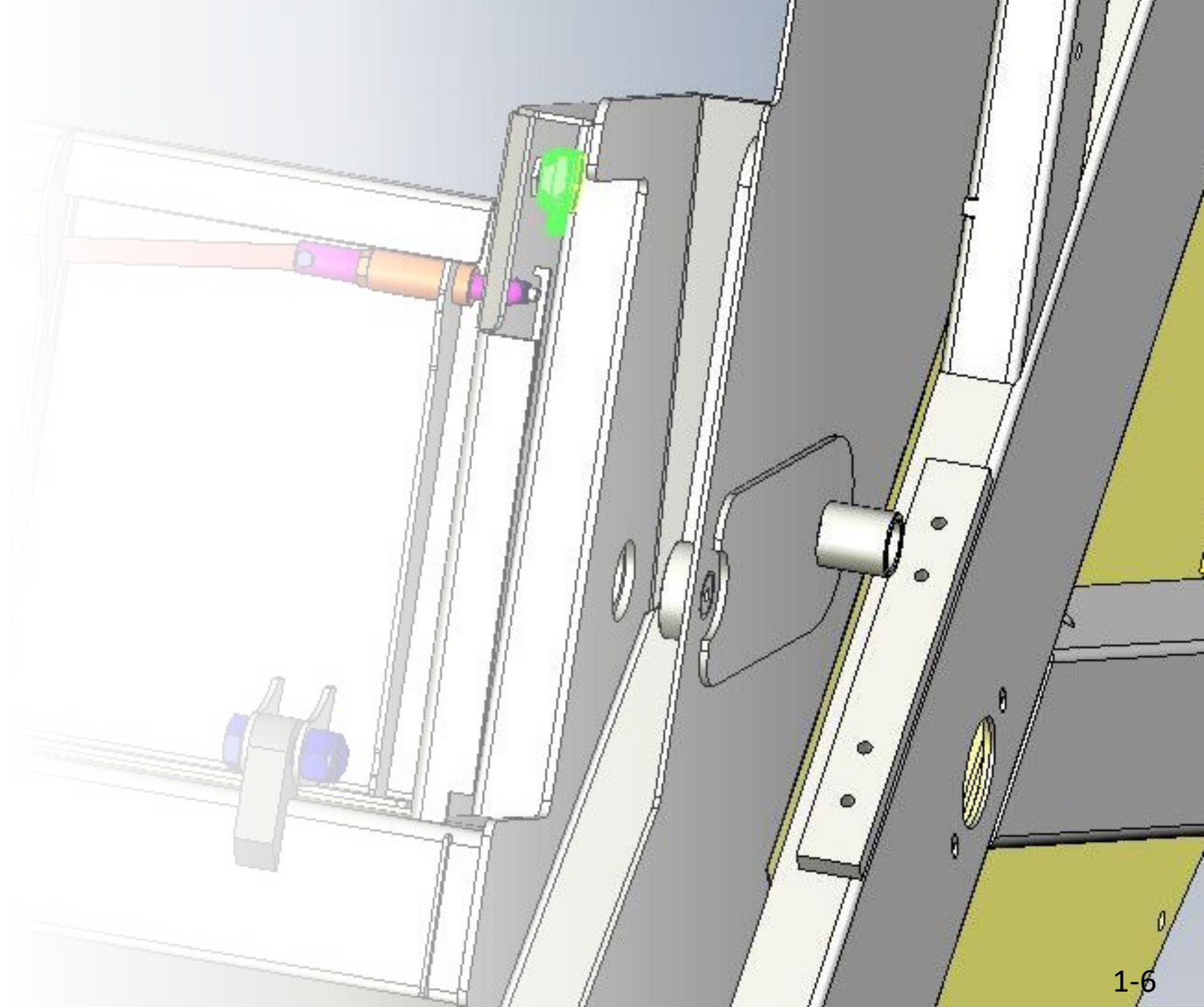


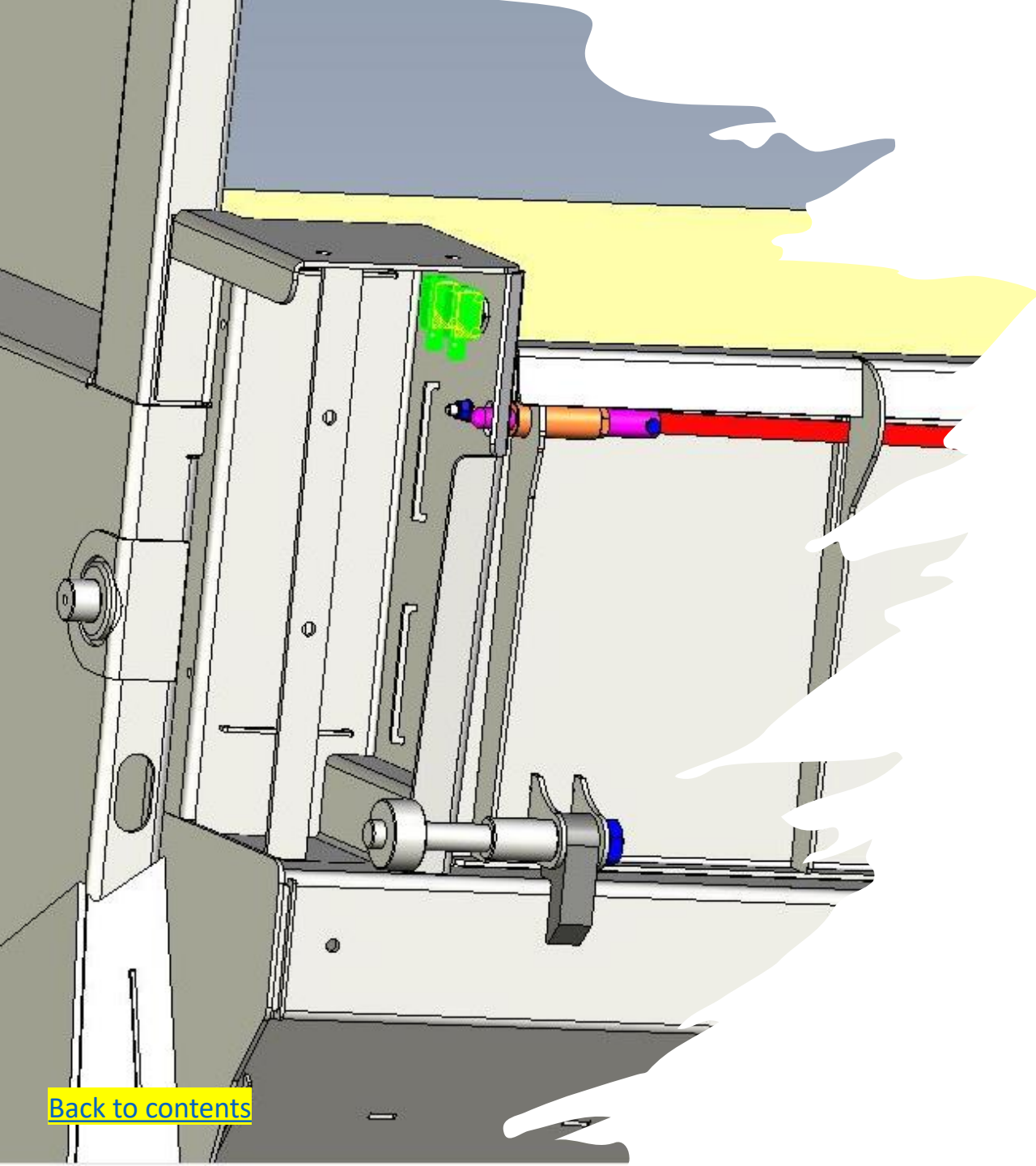
-
- Carriage plate position.
 - Sensor: 1005818
 - Cable included with contact.





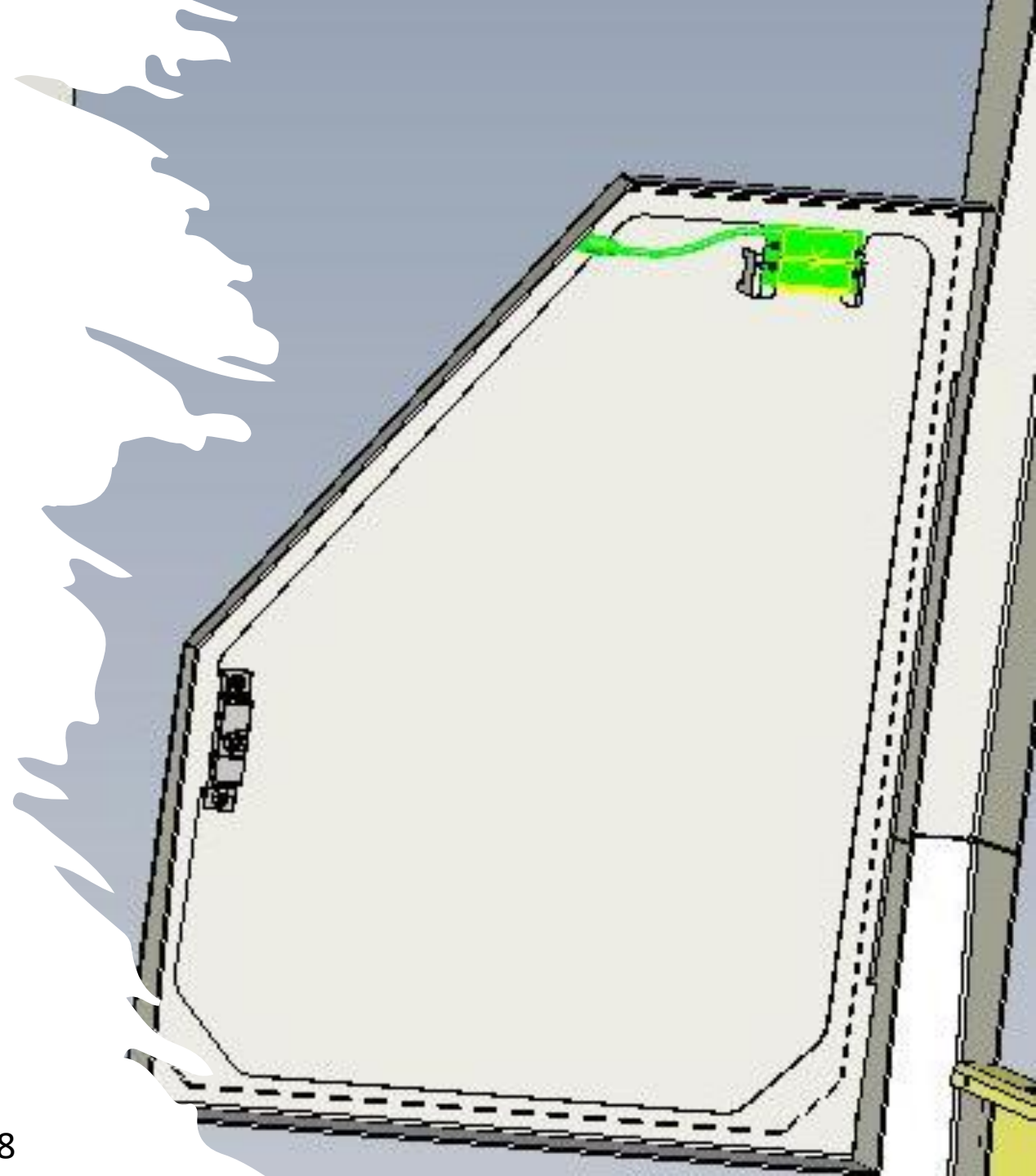
- Light barrier, Infrared transmitter.
- Sensor: [5001761](#)
- Cable: [1007991](#)
- Adjustment:

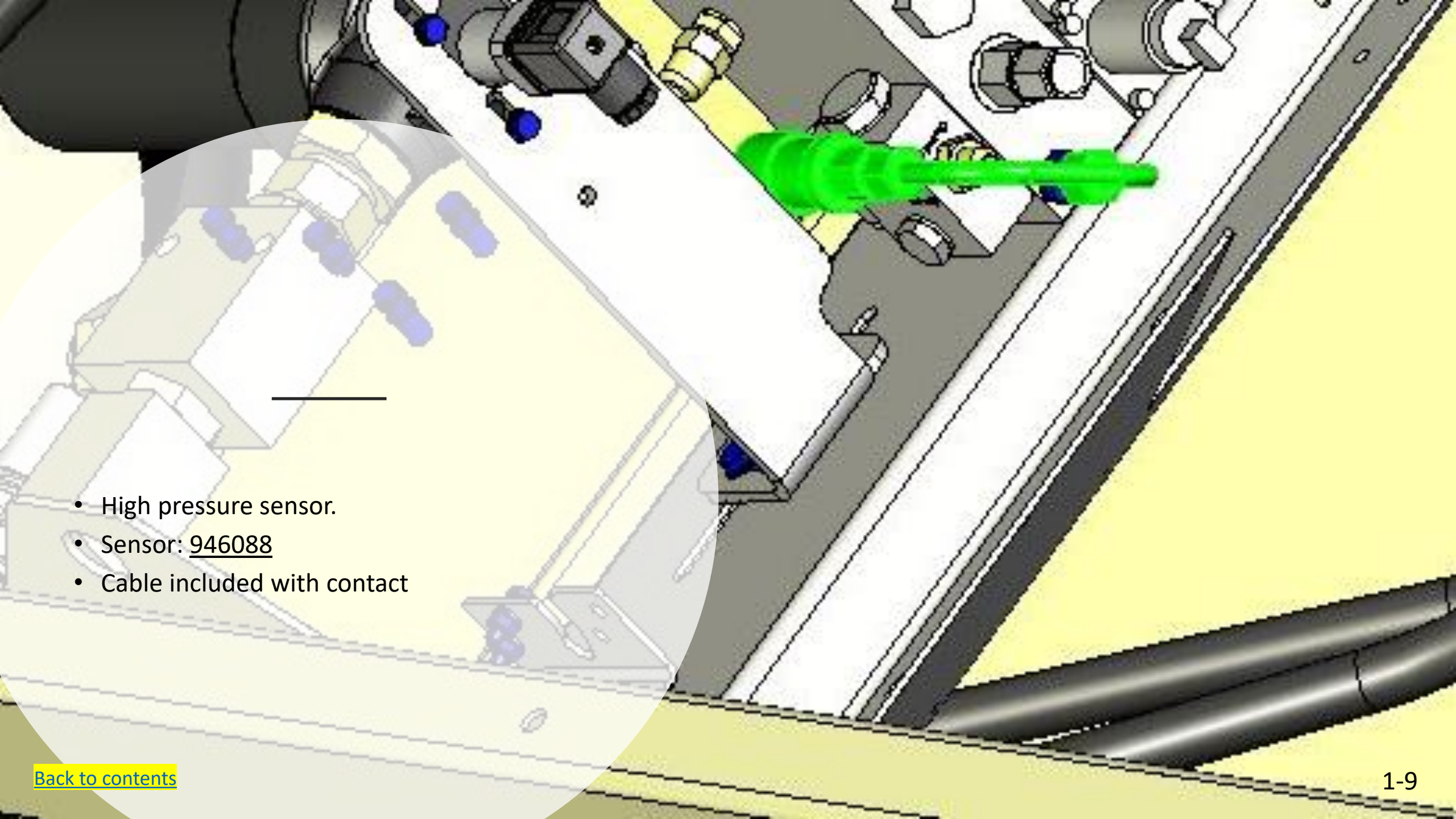




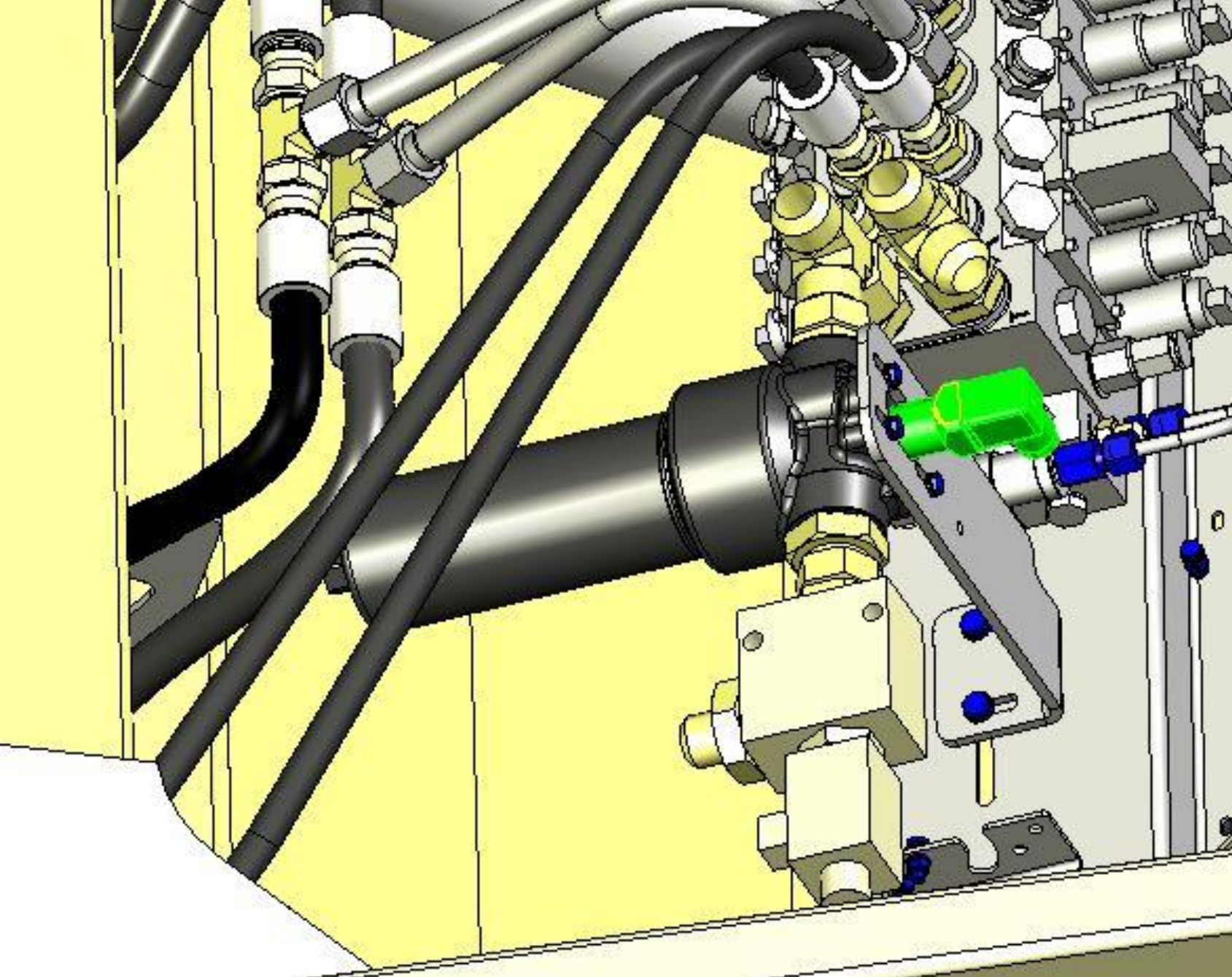
- Light barrier, Infrared receiver.
- Sensor: 5001762
- Sensor: 5001763
- Cable: 1007991

- Body door, Magnetic sensor.
- Sensor: 1005853
- Cable: 1005860 Left, 1007991 Right.

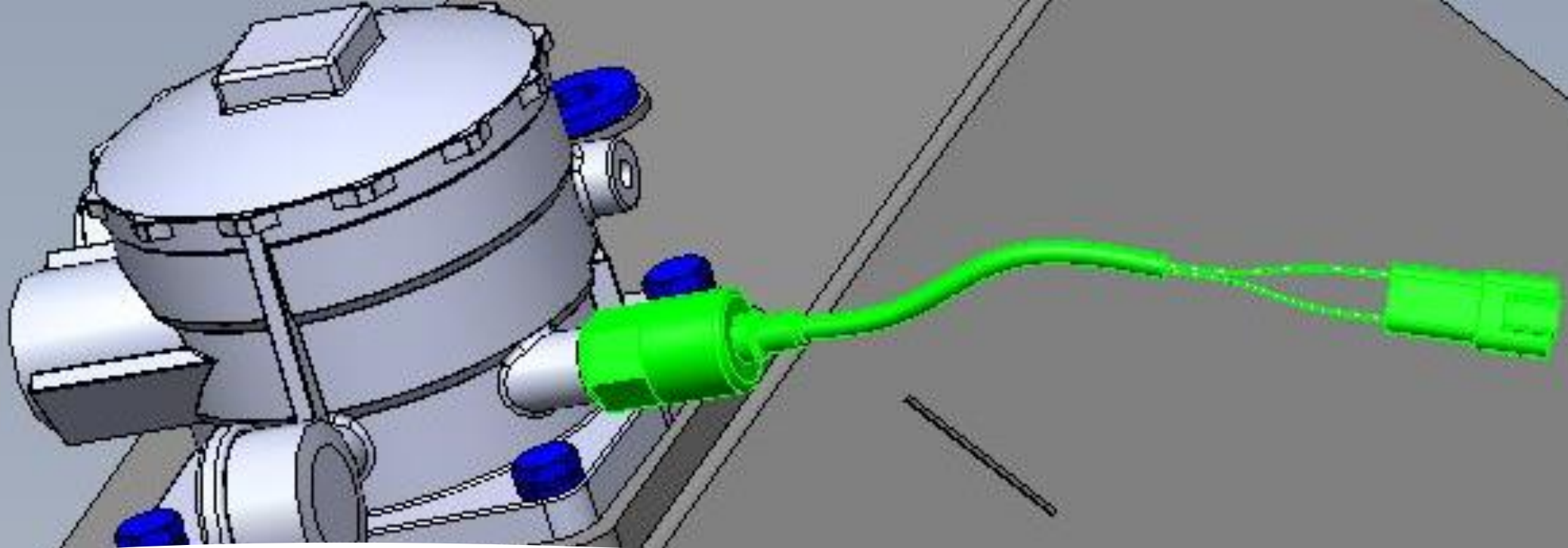




- High pressure sensor.
- Sensor: 946088
- Cable included with contact

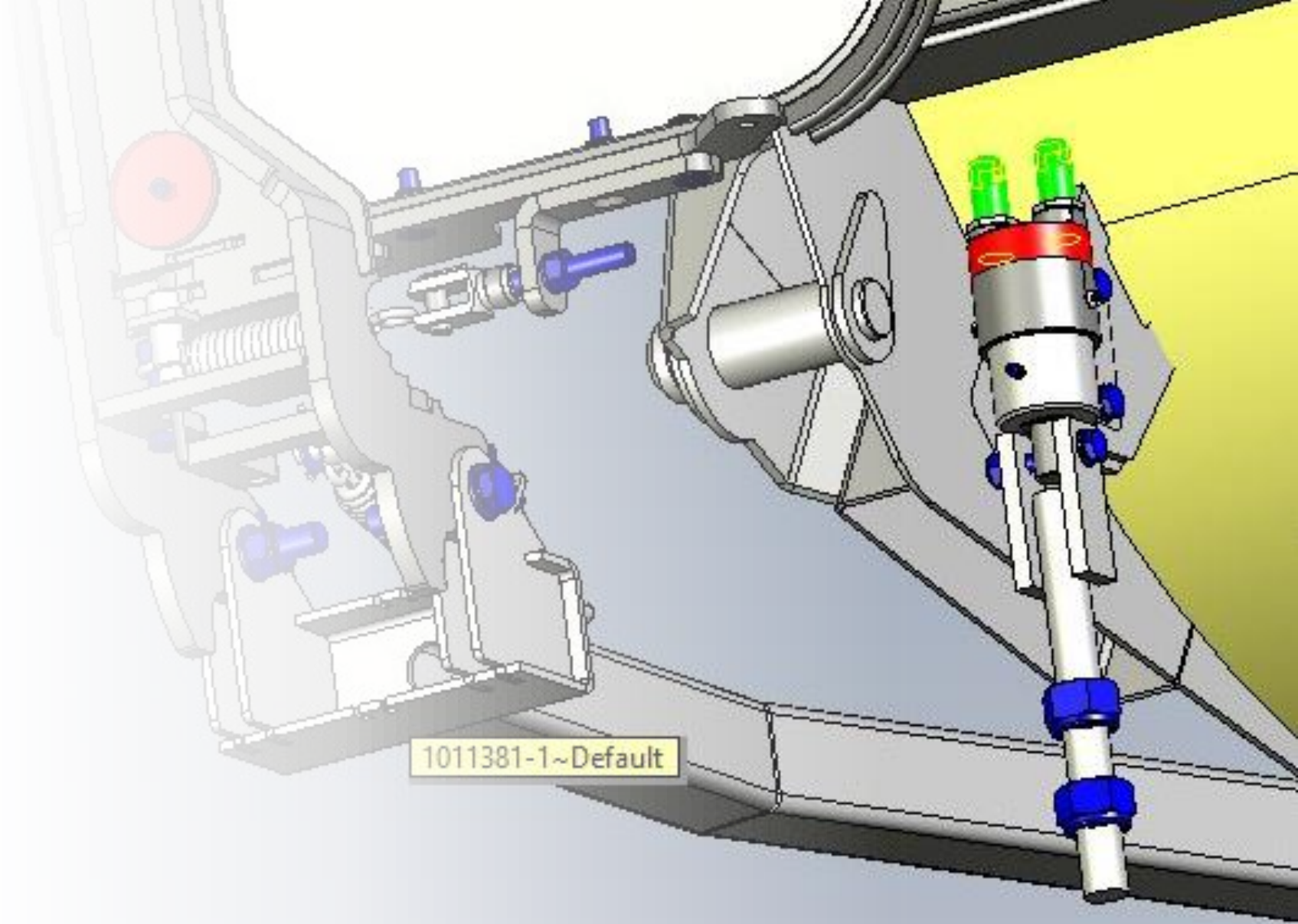


- Pressure filter, pollution sensor.
- Sensor: [85260-00](#)



- Return filter, pollution sensor.
- Sensor: 5002041
- Cable: 1005860

-
- Foot board sensors.
 - Sensor: 979947
 - Cable included with contact.
 - Adjustment: 1mm from bottom.

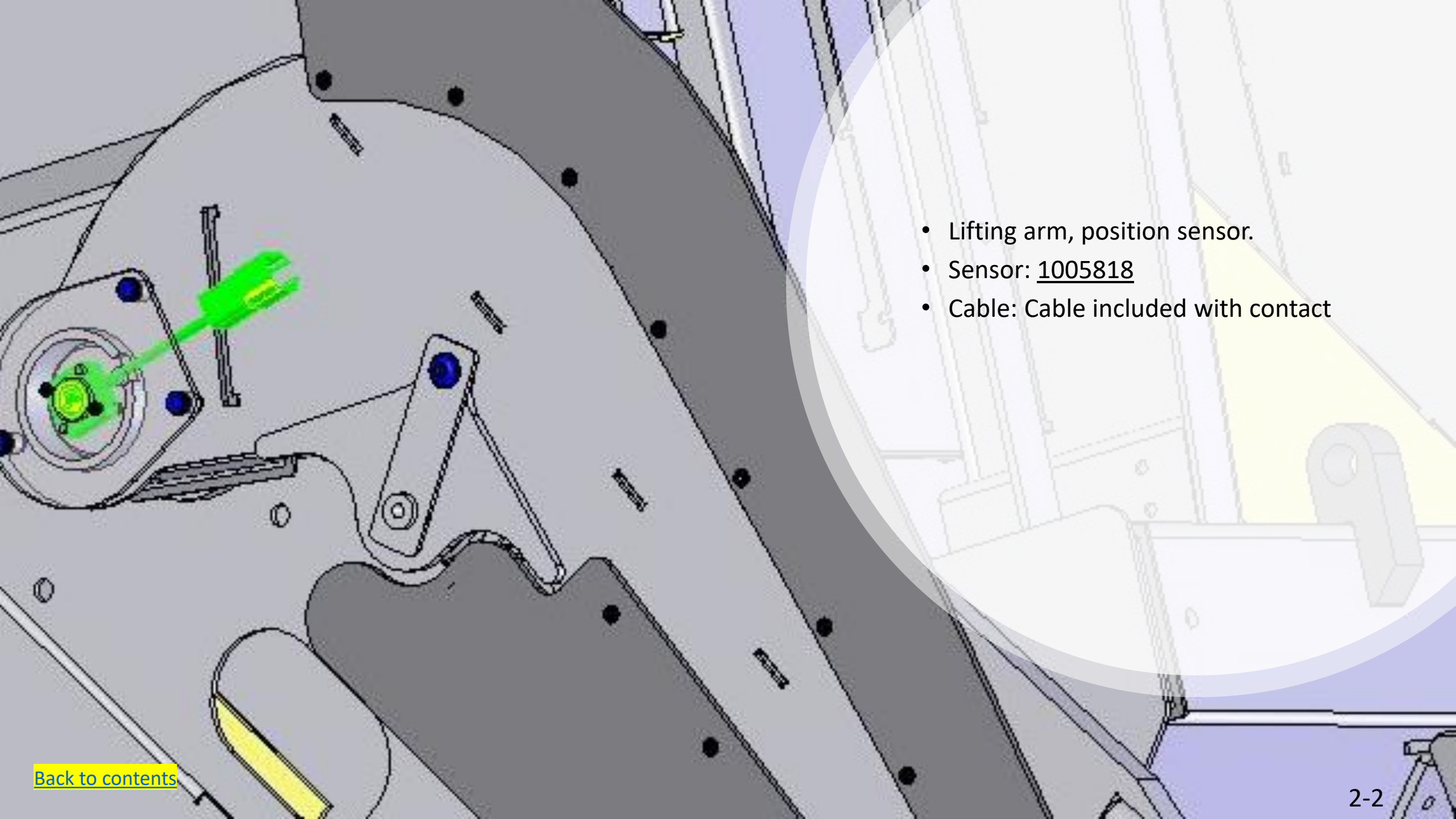


MF 300 L-200

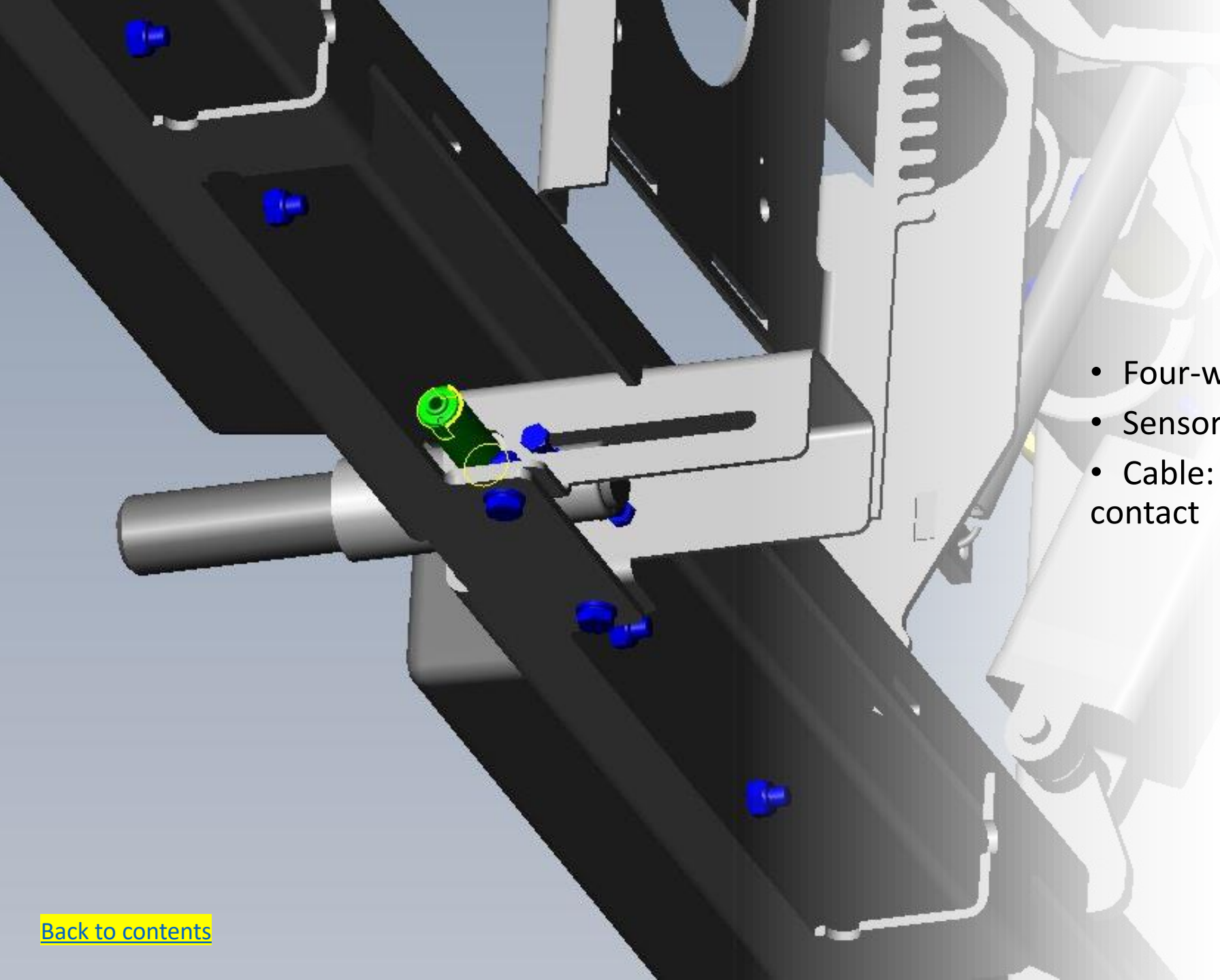


-
- Guide plate sensor.
 - Sensor: 1008120
 - Cable: Cable included with contact





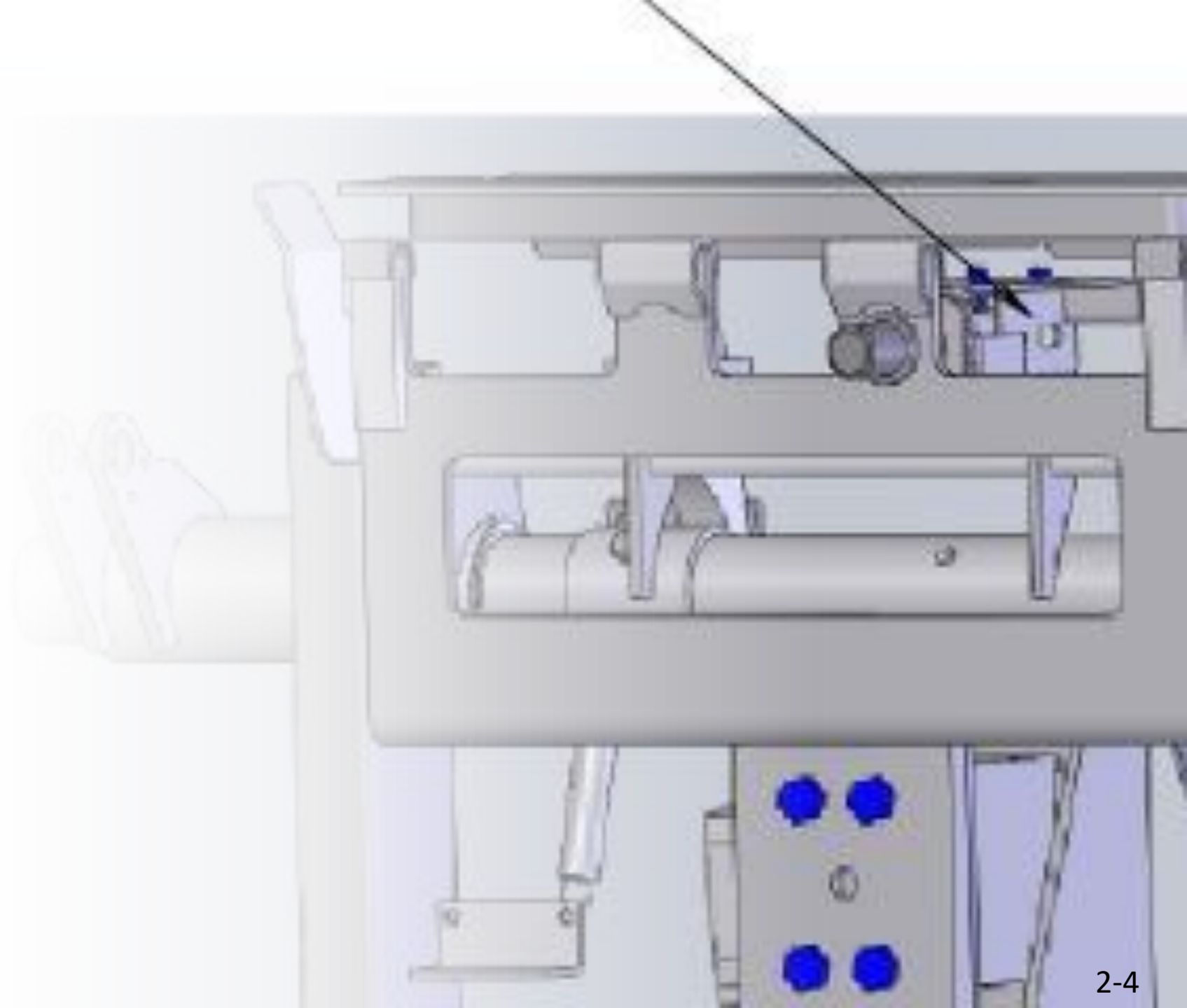
- Lifting arm, position sensor.
- Sensor: 1005818
- Cable: Cable included with contact



- Four-wheel detection sensor.
- Sensor: 979944
- Cable: Cable included with contact



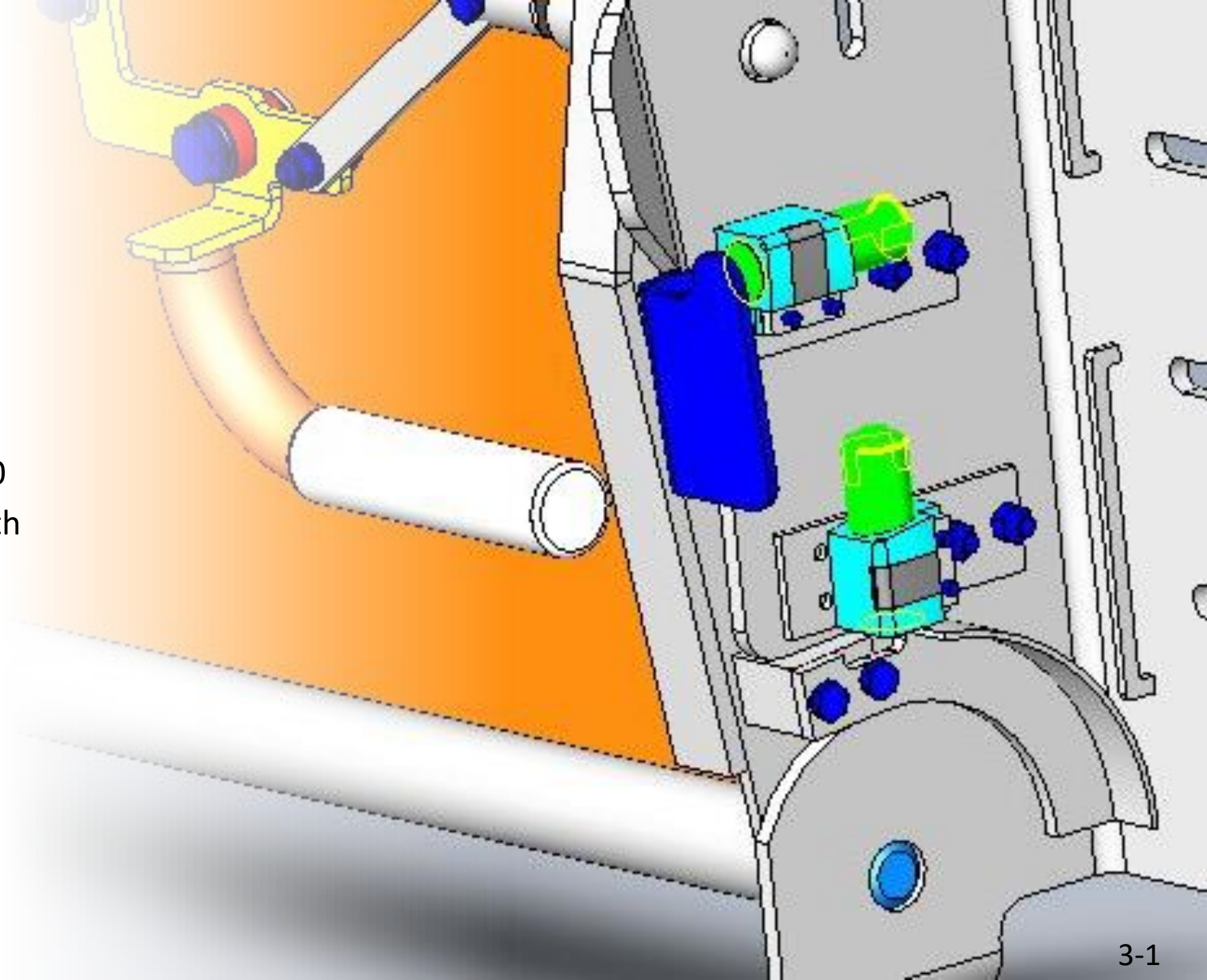
- Auto grip sensor.
- Sensor: 979976
- Cable: Cable included with contact

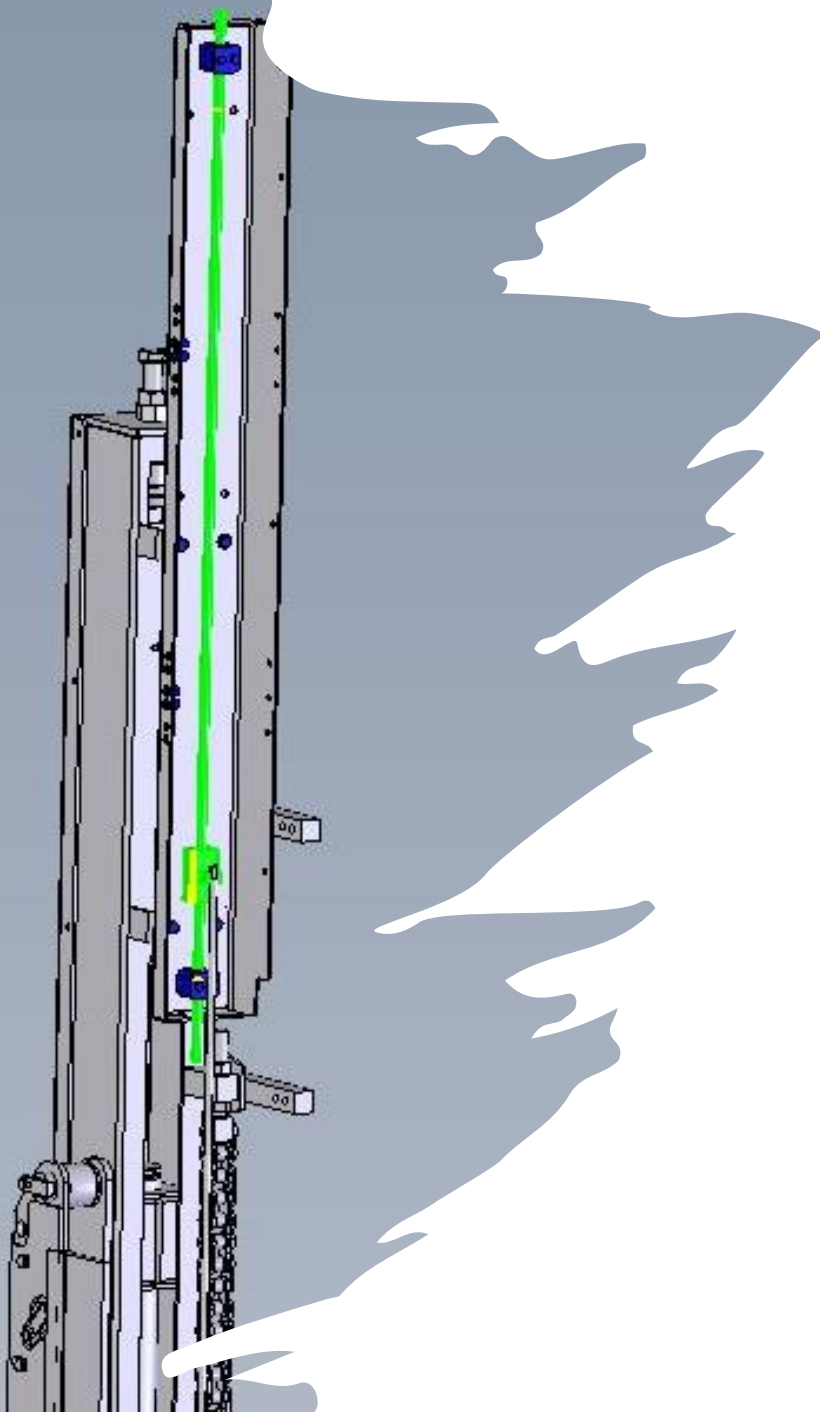


MF 300 L-500



- Guide plate sensor.
- Sensor: 979947
- Sensor bracket: 85468-00
- Cable: Cable included with contact

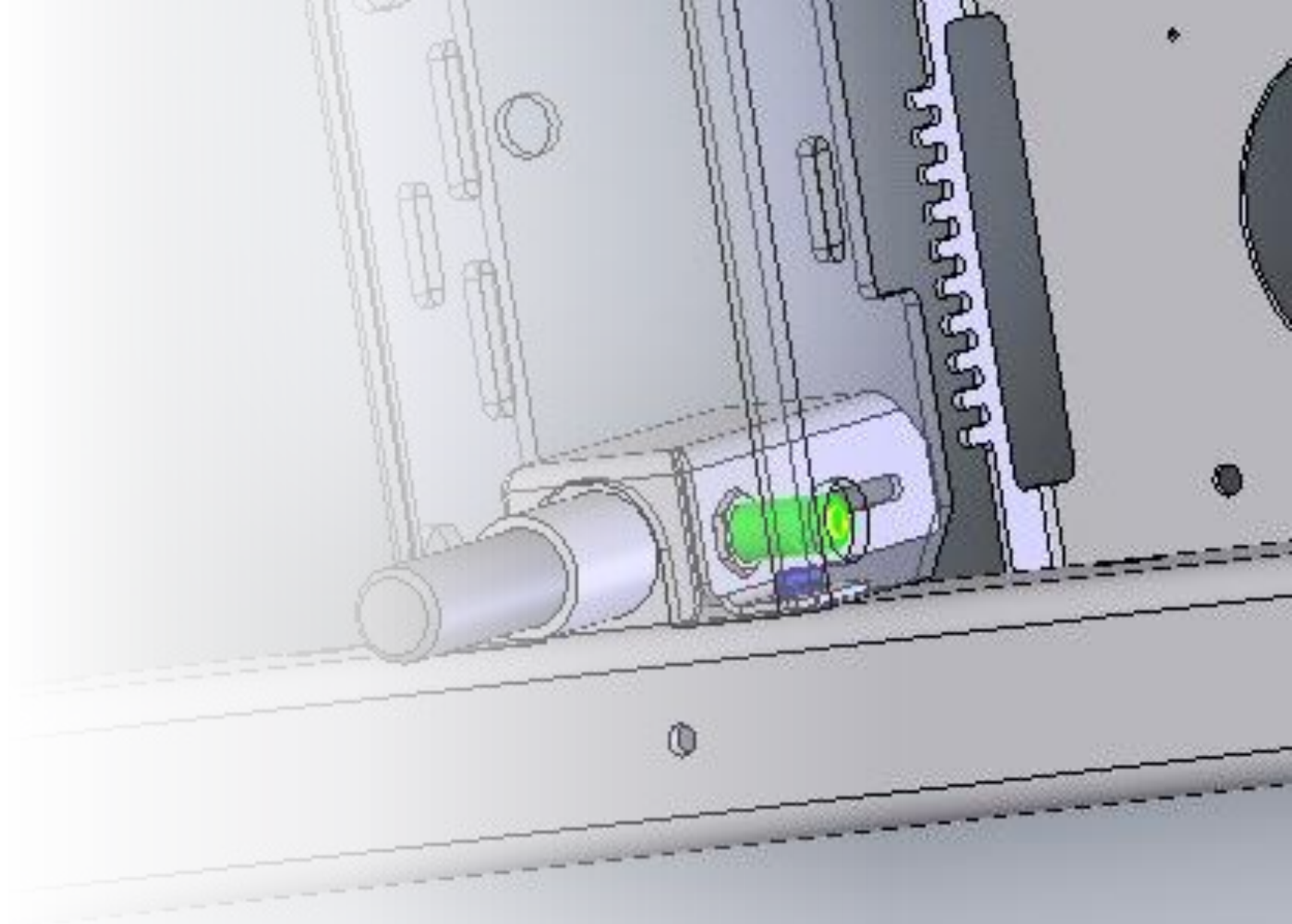




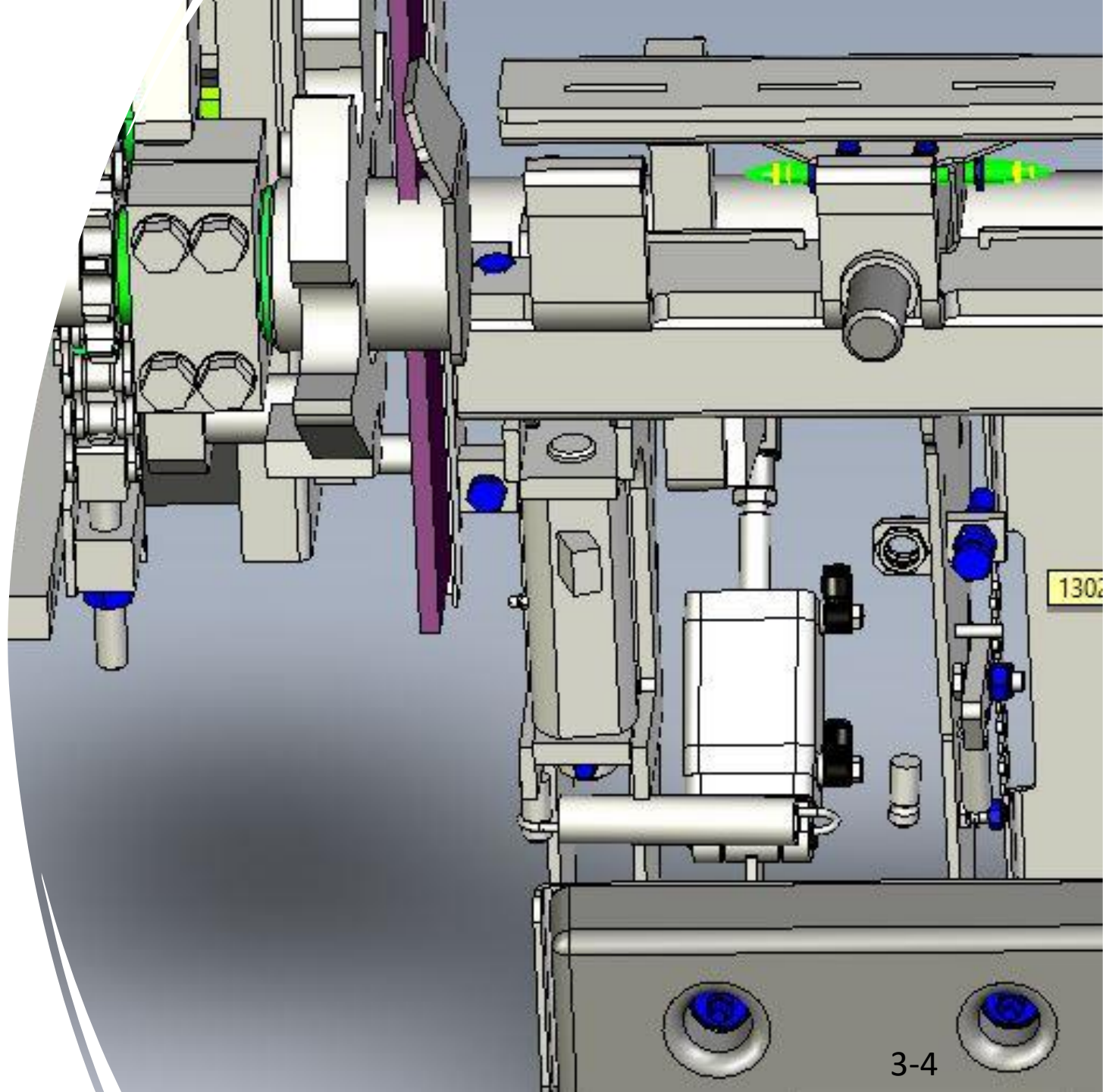
- Lifting arm position sensor.
- Sensor: 5041065
- Cable: 1007991



-
- Four-wheel detection sensor.
 - Sensor: [979944](#)
 - Cable: Included with contact.



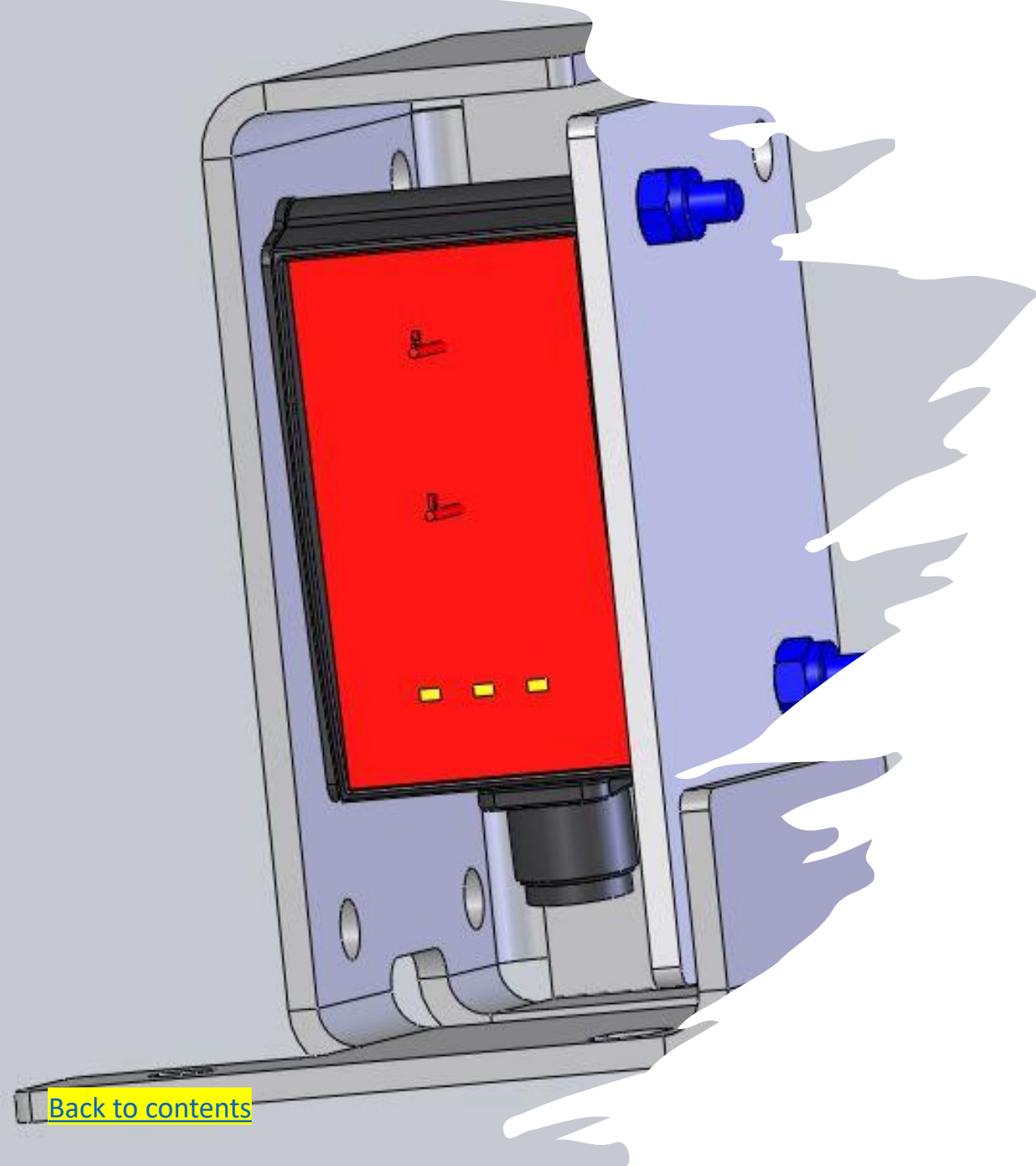
-
- Autogrip sensors.
 - Sensor: 979976
 - Cable: Included with contact.



MF 300 L-500

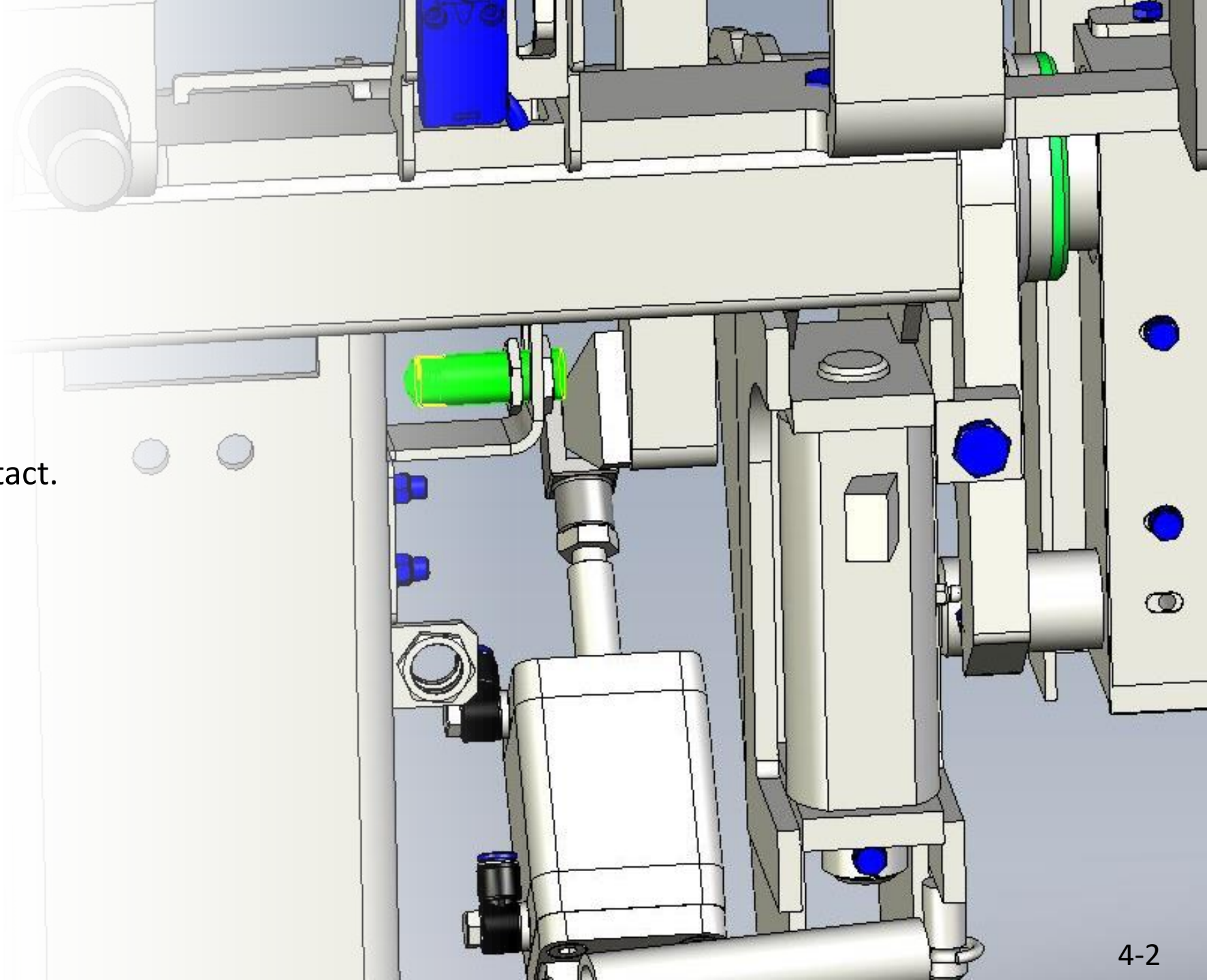
Auto lift



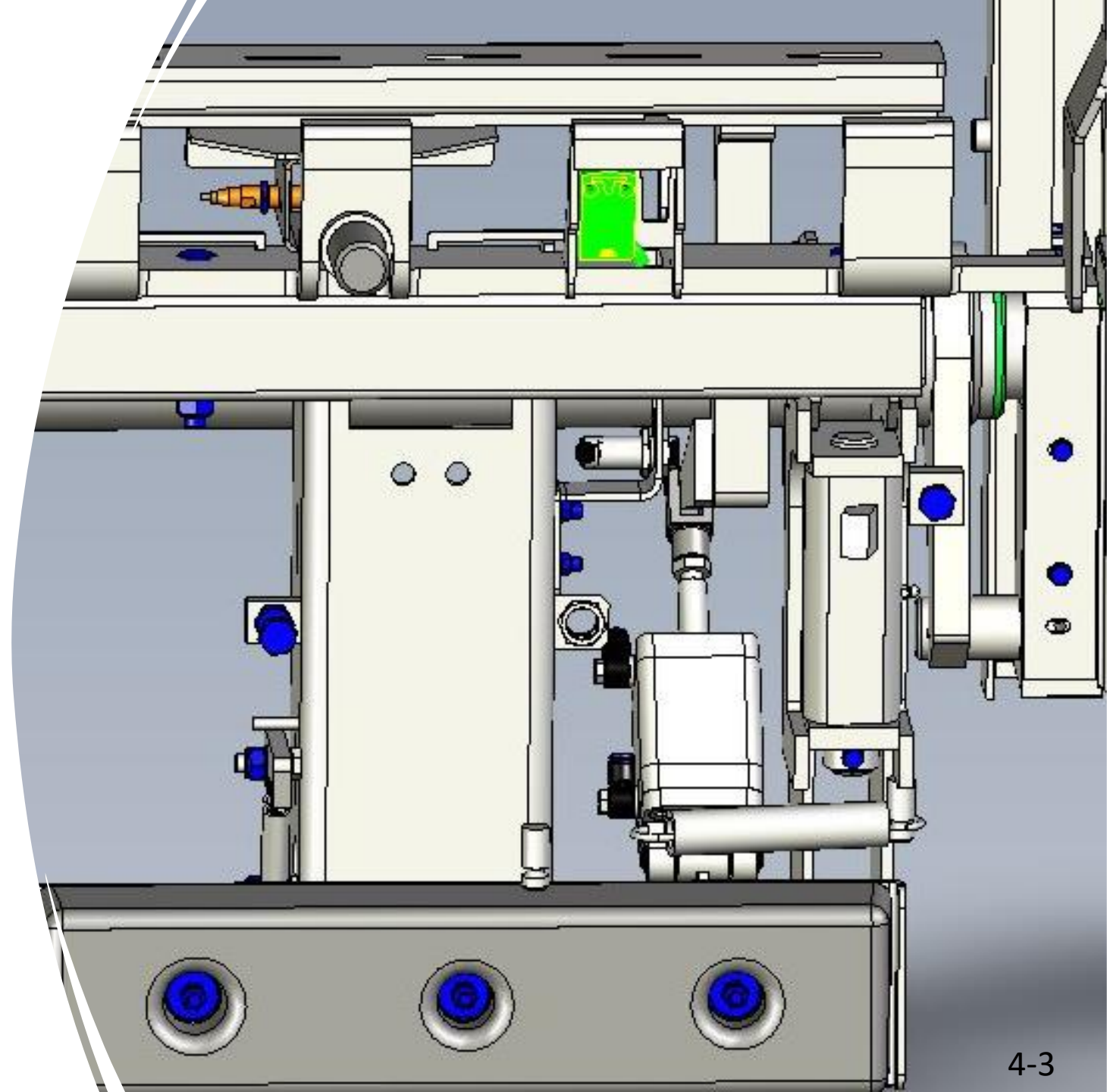


- Under run protection, sensor.
- Sensor: 5043765
- Cable: 1005860.

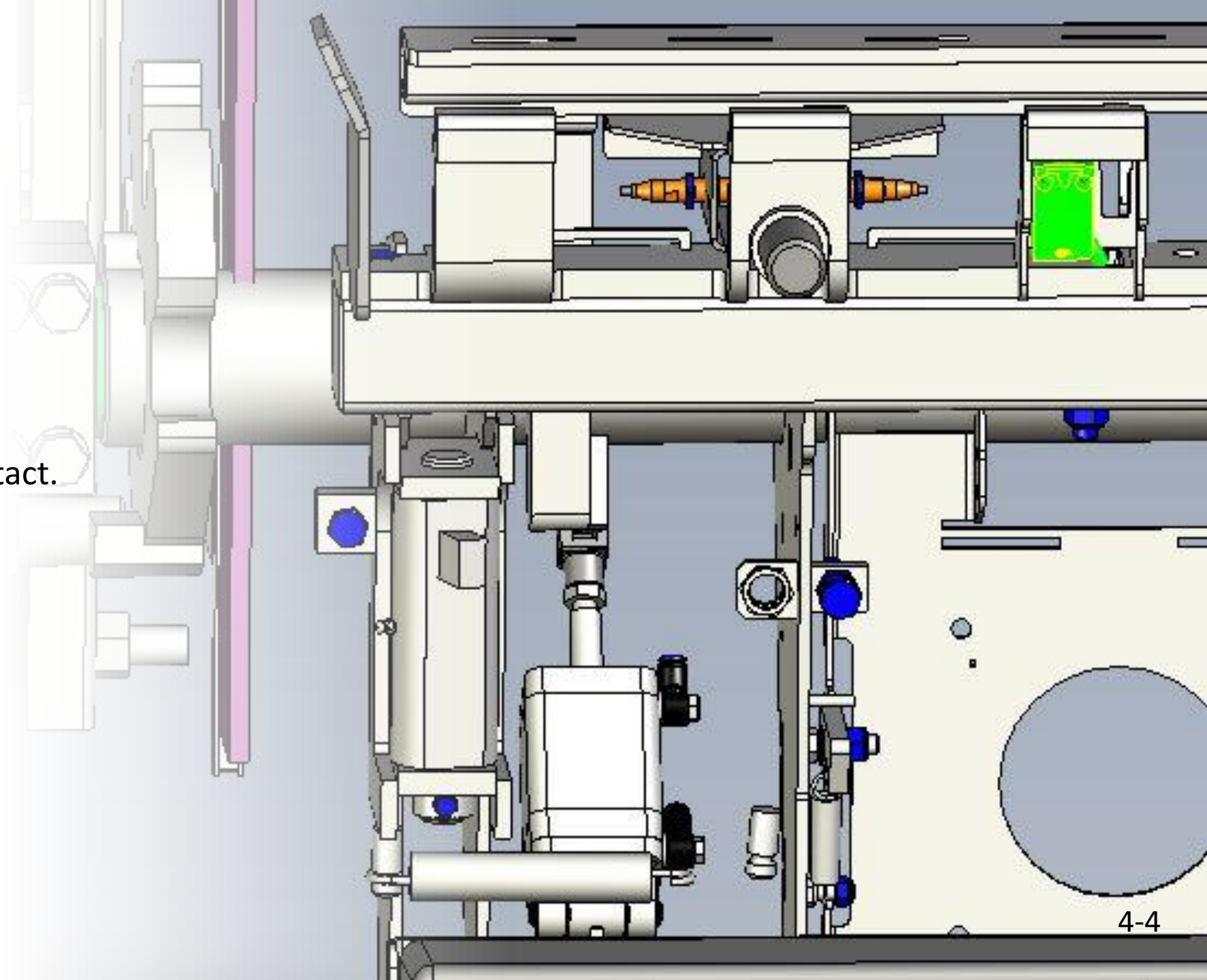
- Bin rim lock sensor.
- Sensor: 979944
- Cable: Included with contact.



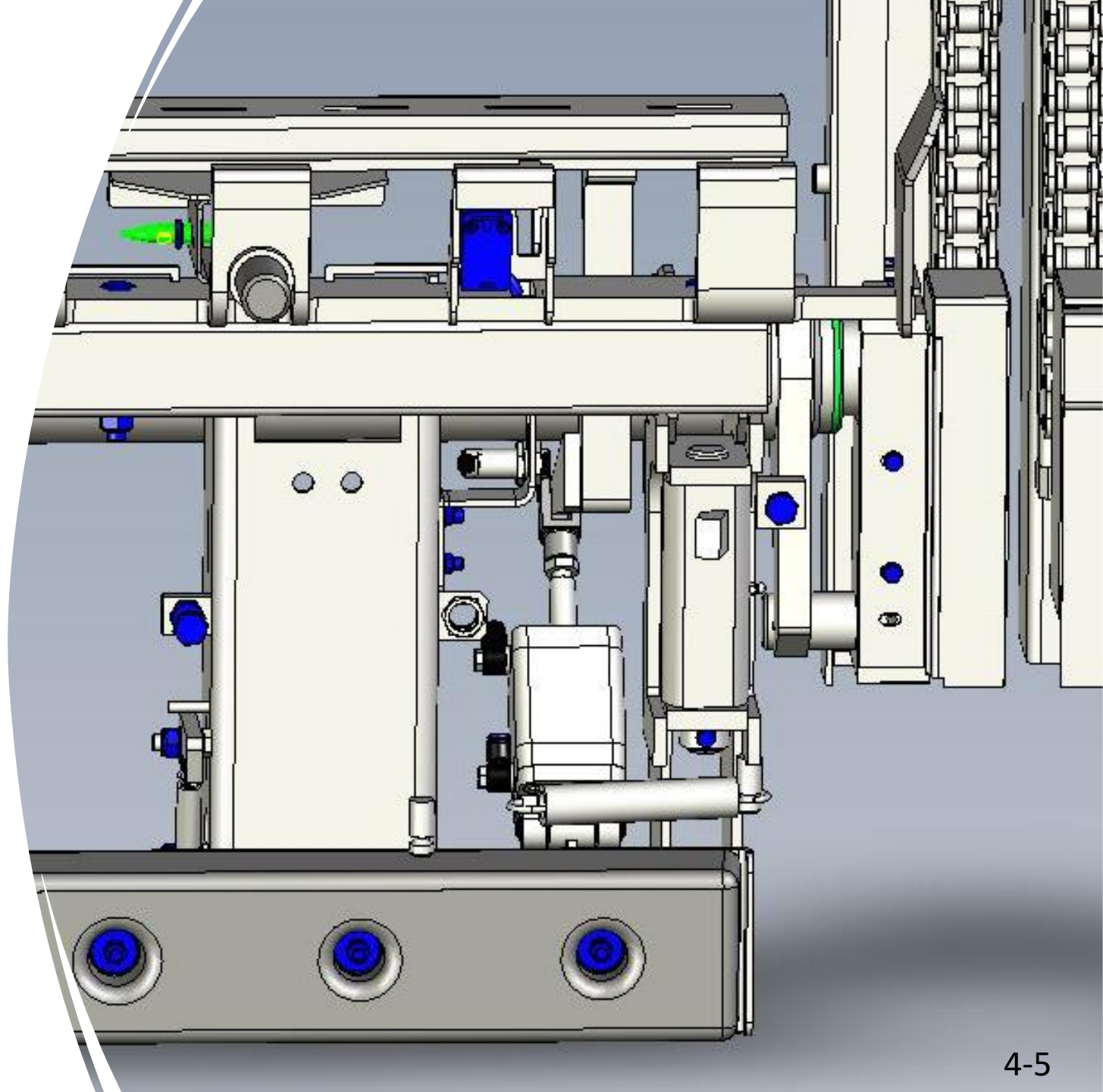
-
- Bin 2 OK switch.
 - Sensor: 1007323
 - Cable: Included with contact.



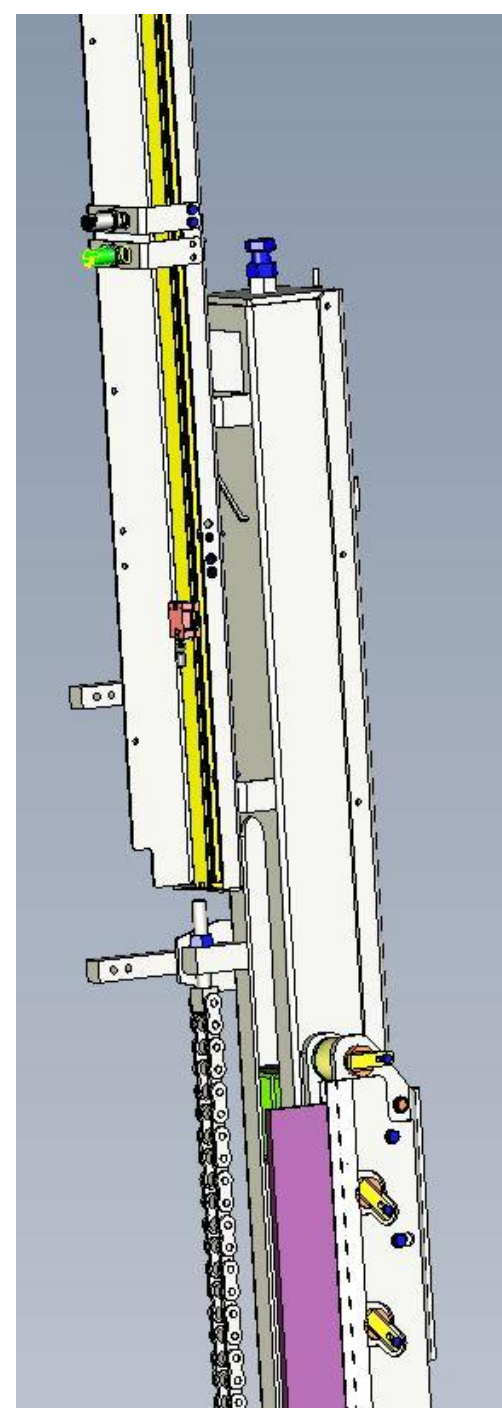
- Pick up safety switch.
- Sensor: 1007323
- Cable: Included with contact.

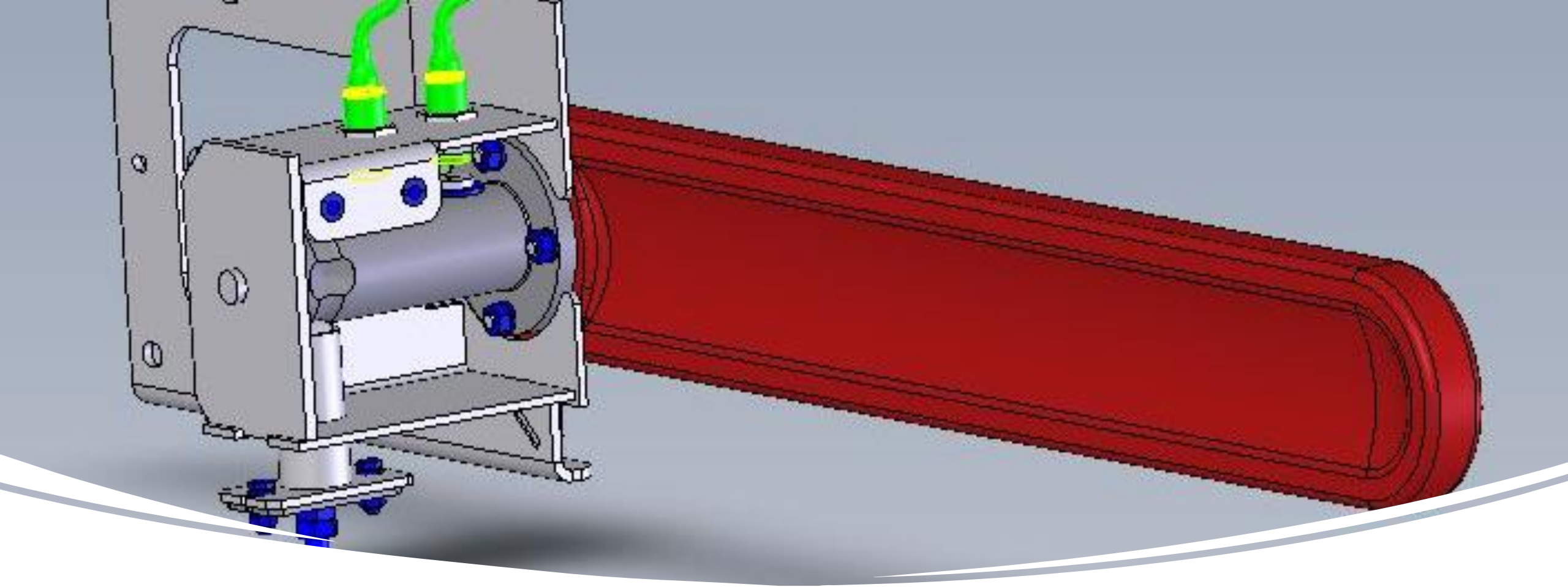


-
- Bin 2 in place sensor.
 - Sensor: 979976
 - Cable: Included with contact.



- Position bin frame, sensor.
- Sensor: 979947
- Cable: Included with contact.





- Safety guard, sensors.
- Sensor: 979946
- Cable: Included with contact.

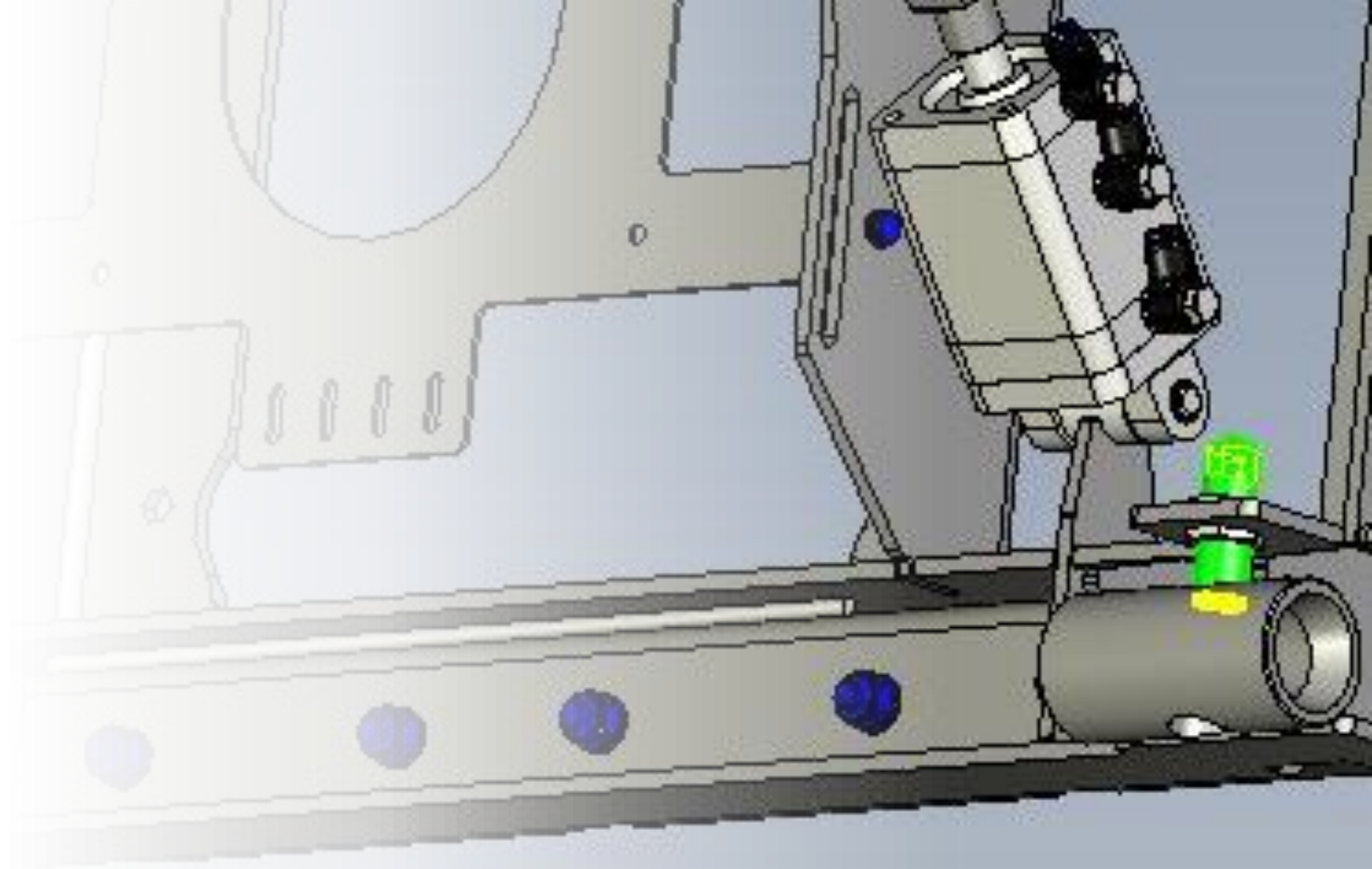
MF 300 L-500

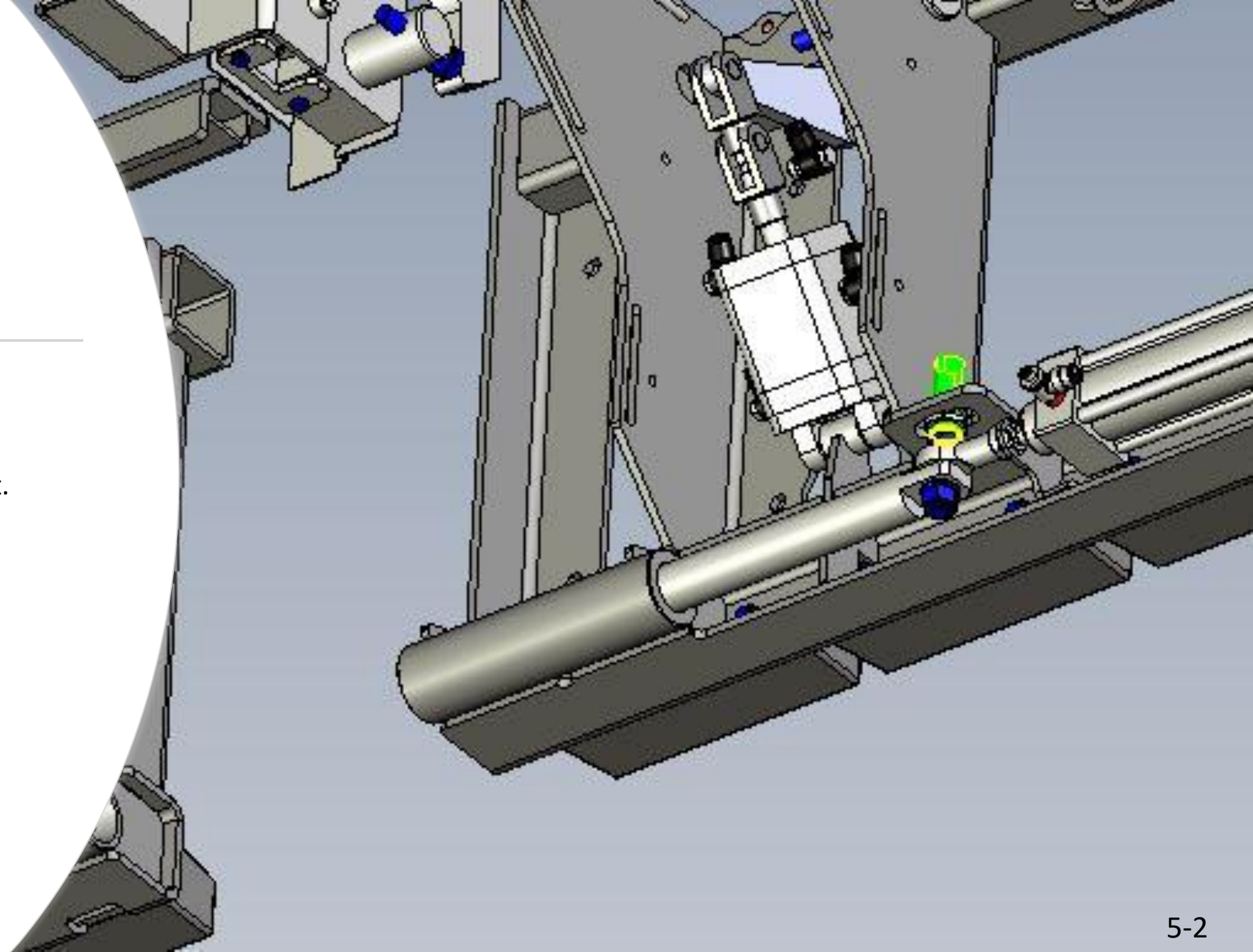
Splitted bins

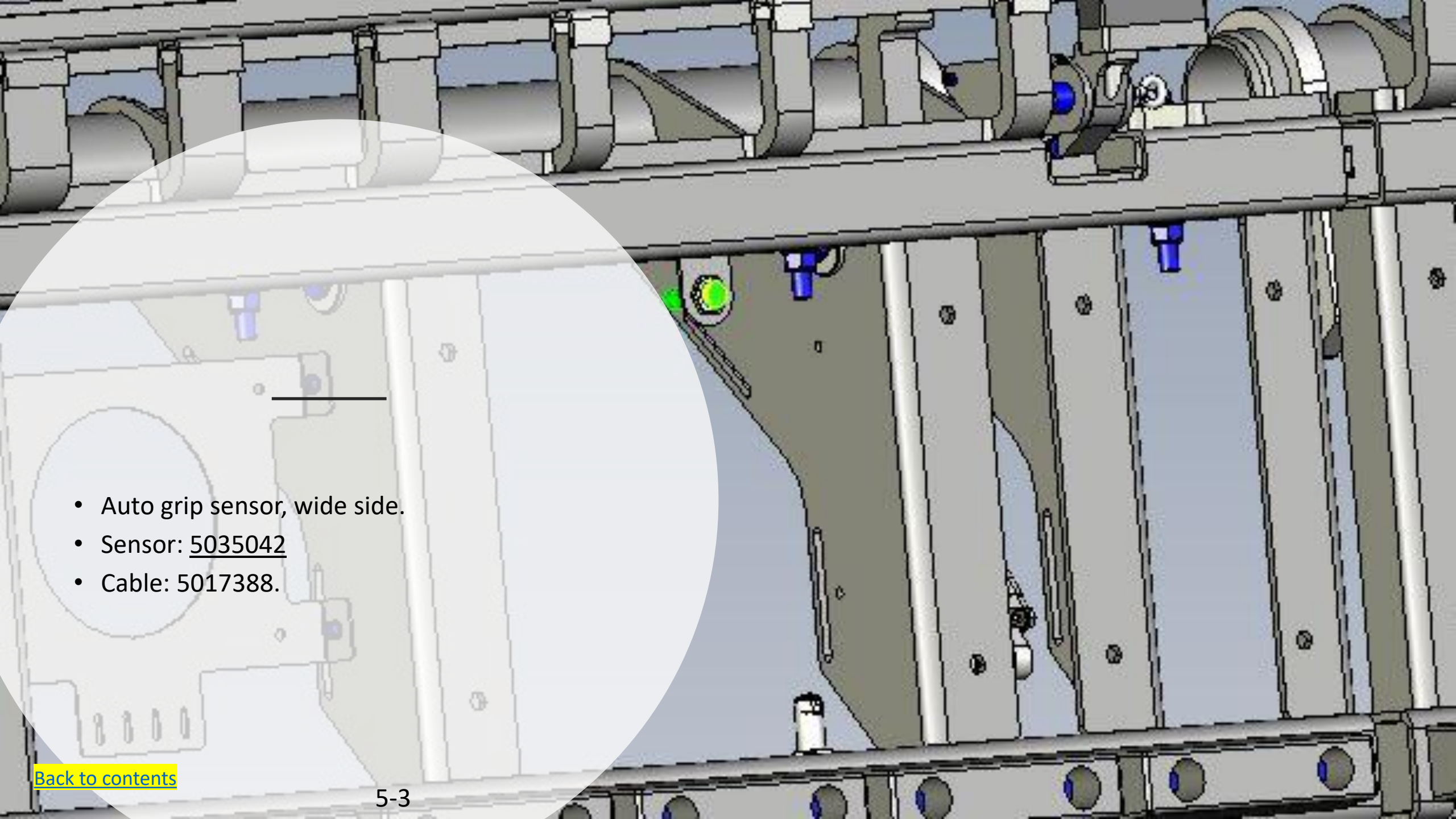




- Coupled binlift, sensor.
- Sensor: [979944](#)
- Cable: Included with contact.

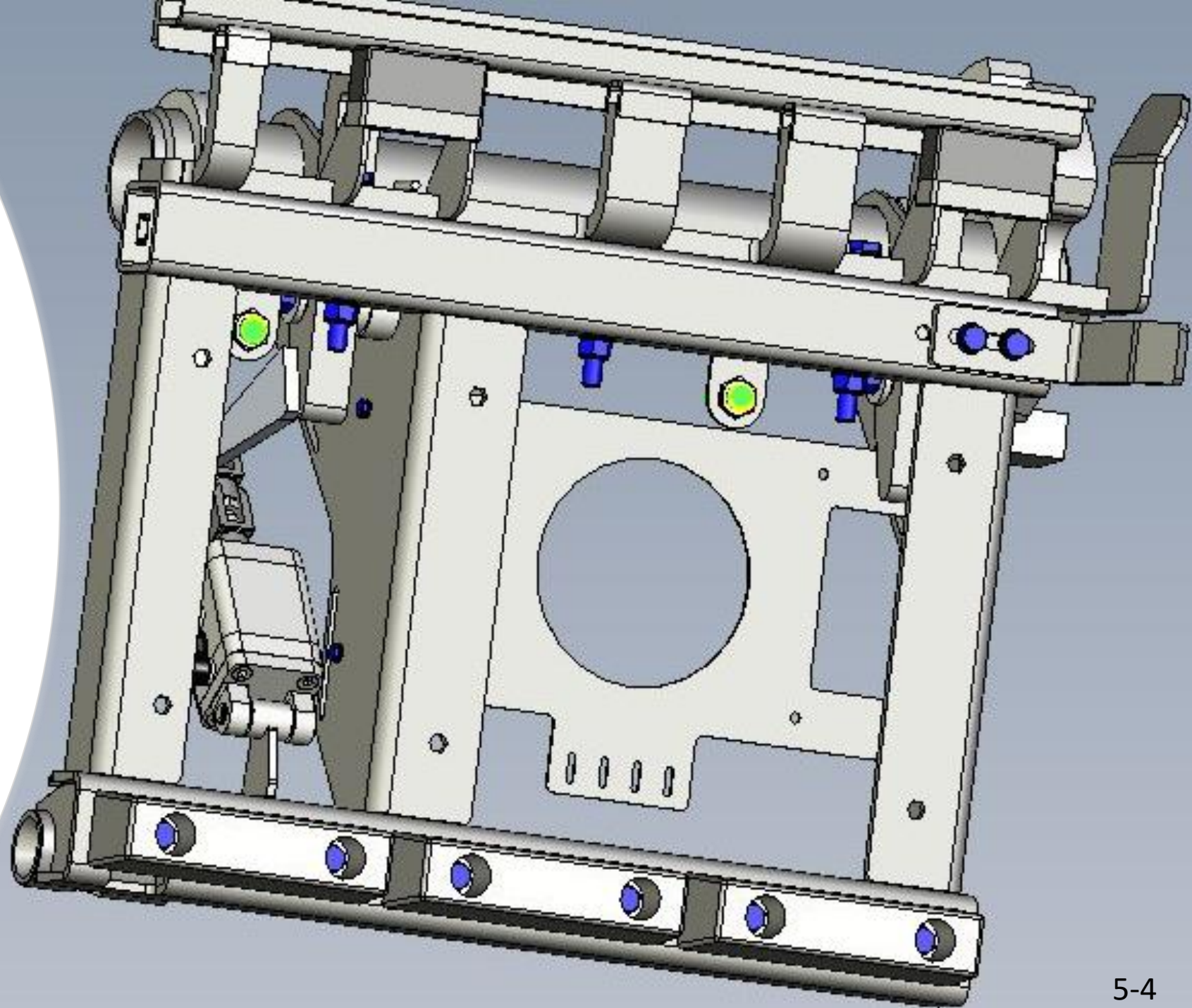


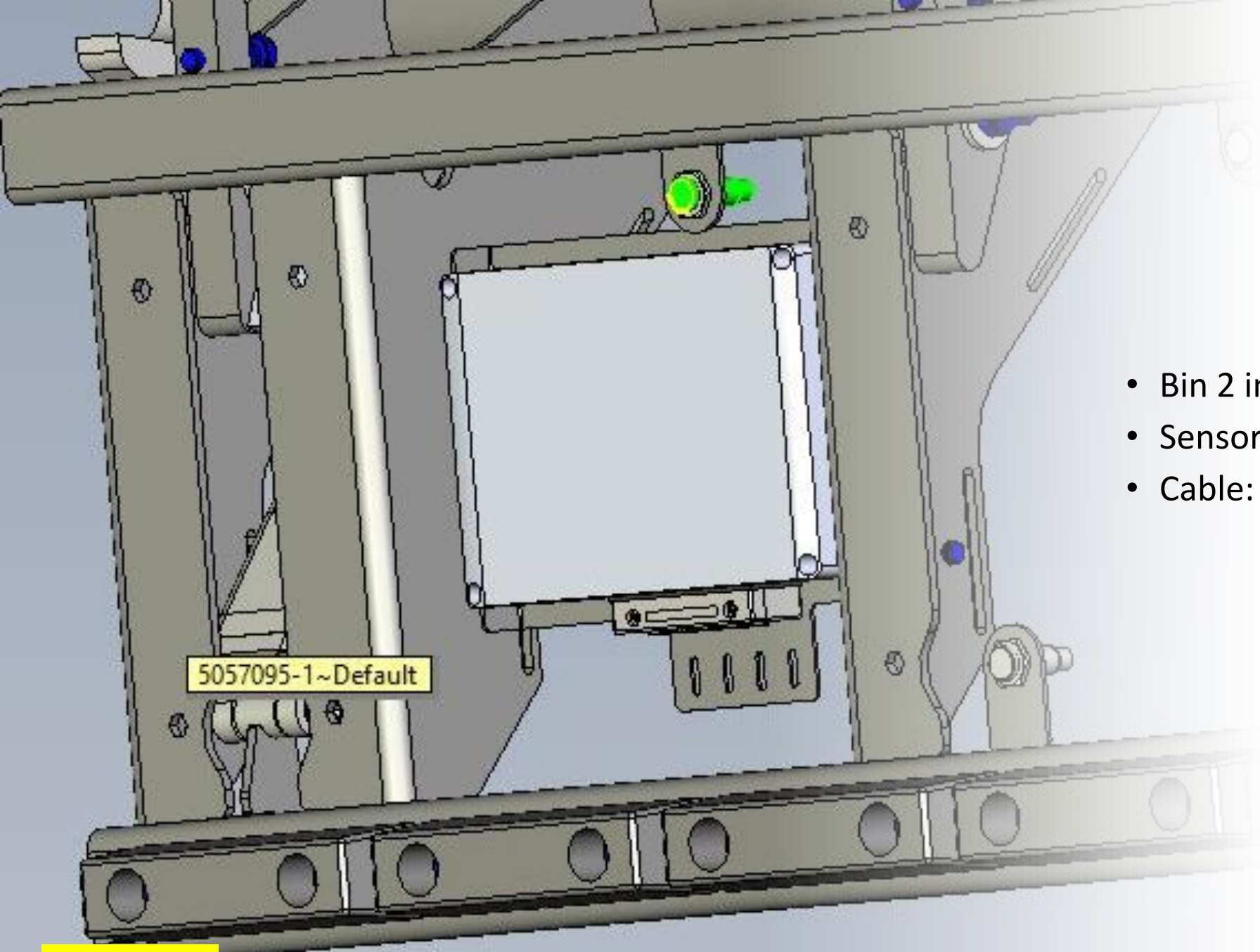
- 
- A 3D CAD model of a bin lift mechanism. The model shows a vertical support structure with a horizontal arm extending from it. A sensor assembly is mounted on the arm, featuring a green sensor head and a yellow base. A blue pin is visible at the end of the arm. The background is a light blue gradient.
- Uncoupled bin lift, sensor.
 - Sensor: [979946](#)
 - Cable: Included with contact.



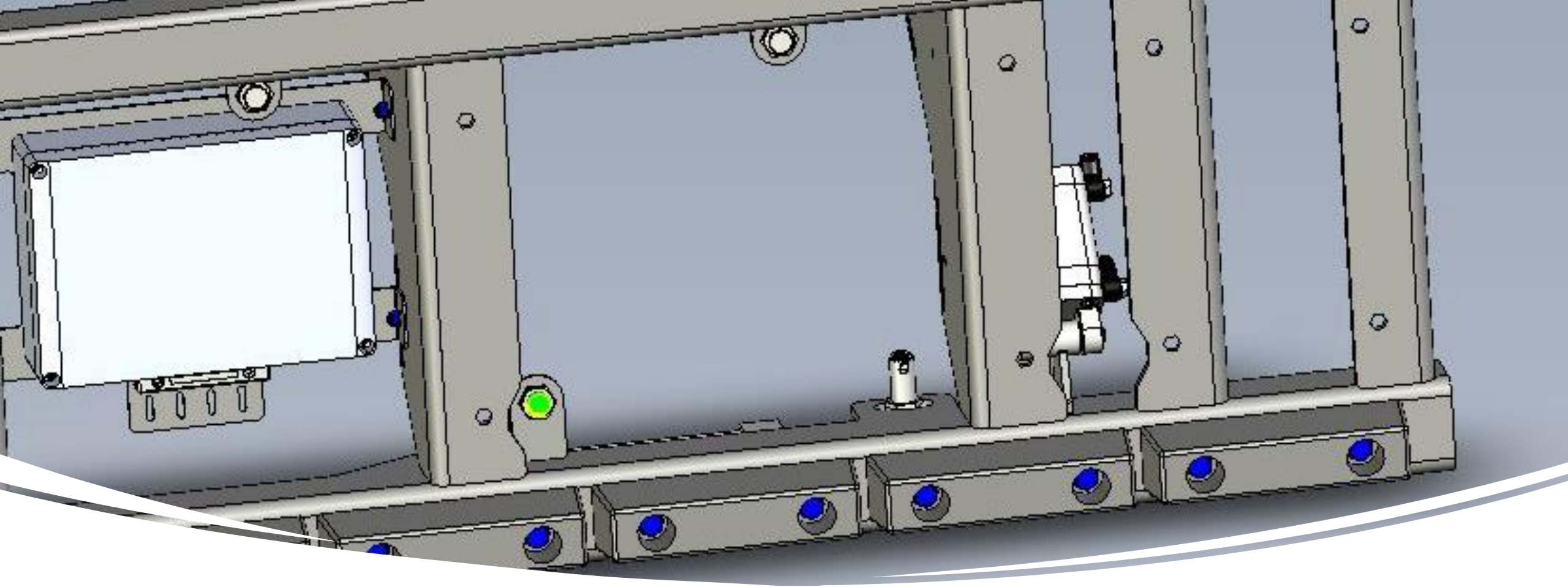
- Auto grip sensor, wide side.
- Sensor: 5035042
- Cable: 5017388.

- Auto grip sensor, narrow side.
- Sensor: [5035042](#)
- Cable: 5017388.





- Bin 2 in place, sensor.
- Sensor: 5051300
- Cable: 5017388.



- Four-wheel detection, sensor.
- Sensor: 5051300
- Cable: 5017388.